

FIG. 1

WYNSOR TRIDENT CIRCUIT DIAGRAM

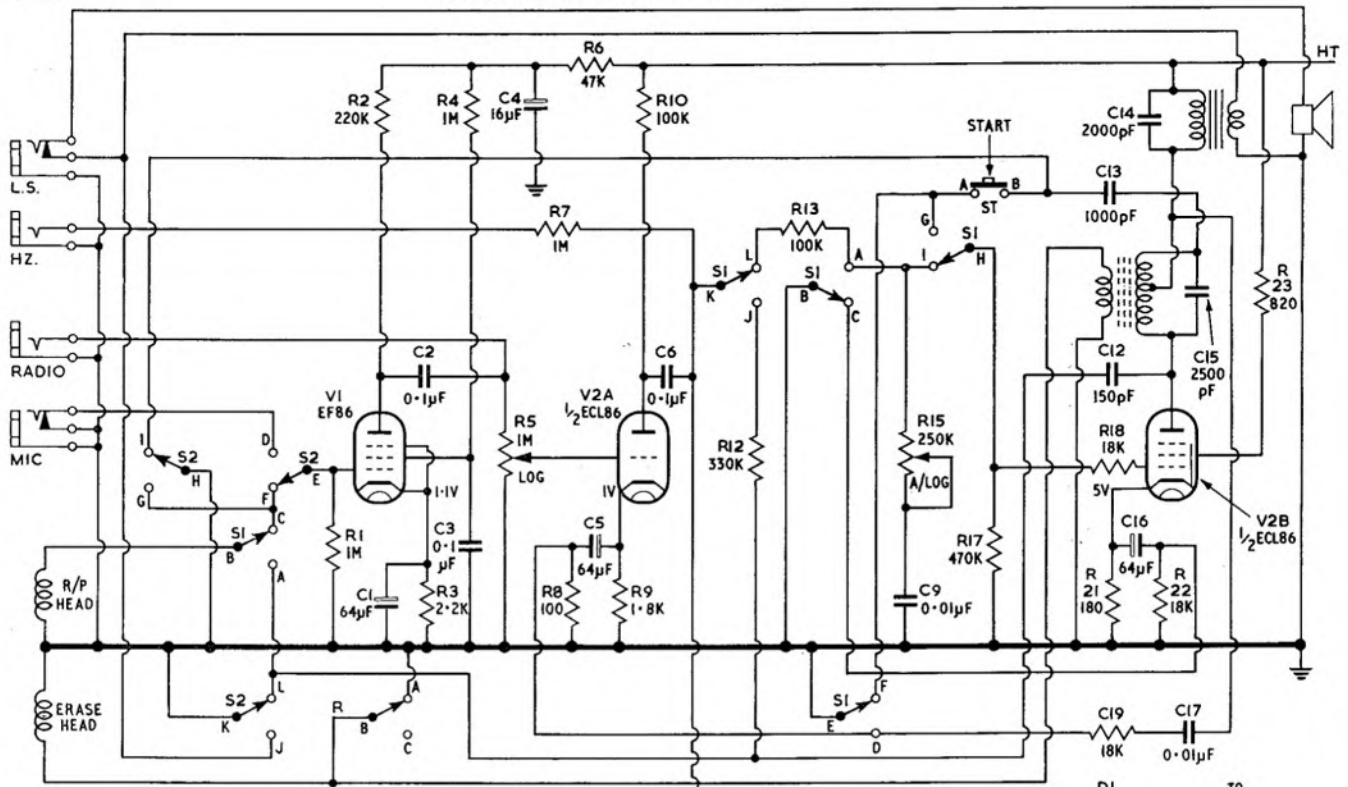
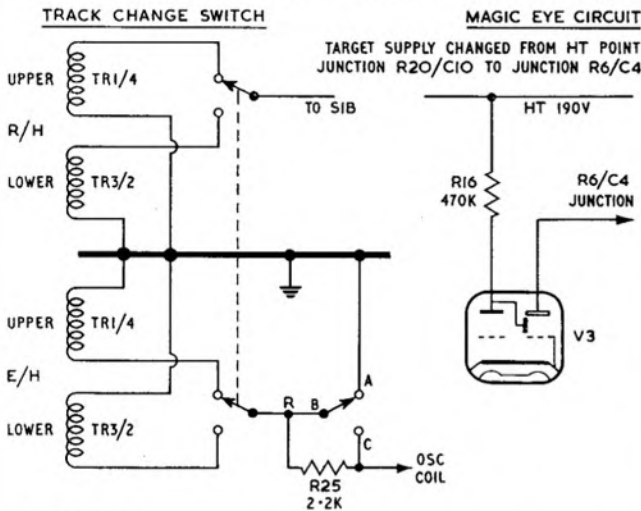


FIG. 3

QUARTER TRACK VARIATIONS

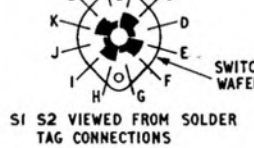
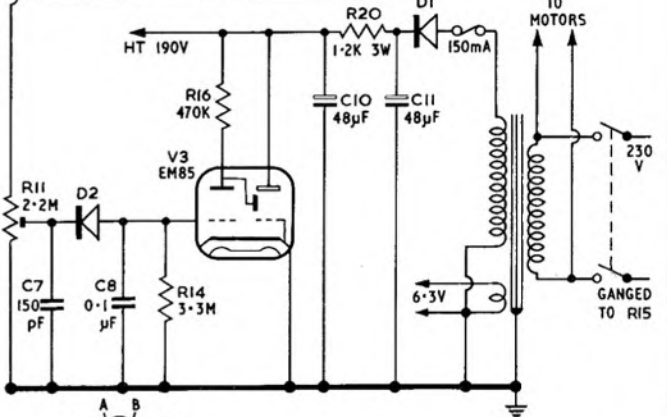
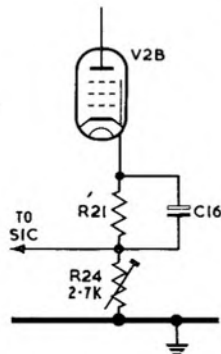


OSC CIRCUIT

CATHODE V2B, R22 (18K) DELETED, R21 + C16 PARALLELED AND TAKEN TO CHASSIS VIA R24. R24 SHORTED BY S1 BC DURING PLAYBACK, OSCILLATOR COIL SECONDARY WINDING TO ERASE HEADS VIA SWITCH CONTACT CHANGED TO RC R25 (2.2K) 1/4 W RESISTOR ADDED ACROSS CONTACTS RB-RC

PB CIRCUIT

C2 CHANGED TO 0.01µF C17 CHANGED TO 0.005µF



CIRCUIT DRAWN IN PLAY-BACK, NO SIGNAL. VOLTAGE READINGS TAKEN WITH AVO 8 S1 S2 ROTARY R/P SWITCH ST A-B-START BUTTON SWITCH RA-C 'R' SWITCH ERASE VOLTAGE 20V BIAS VOLTAGE 40V

FIG. 2

BASE CONNECTIONS

