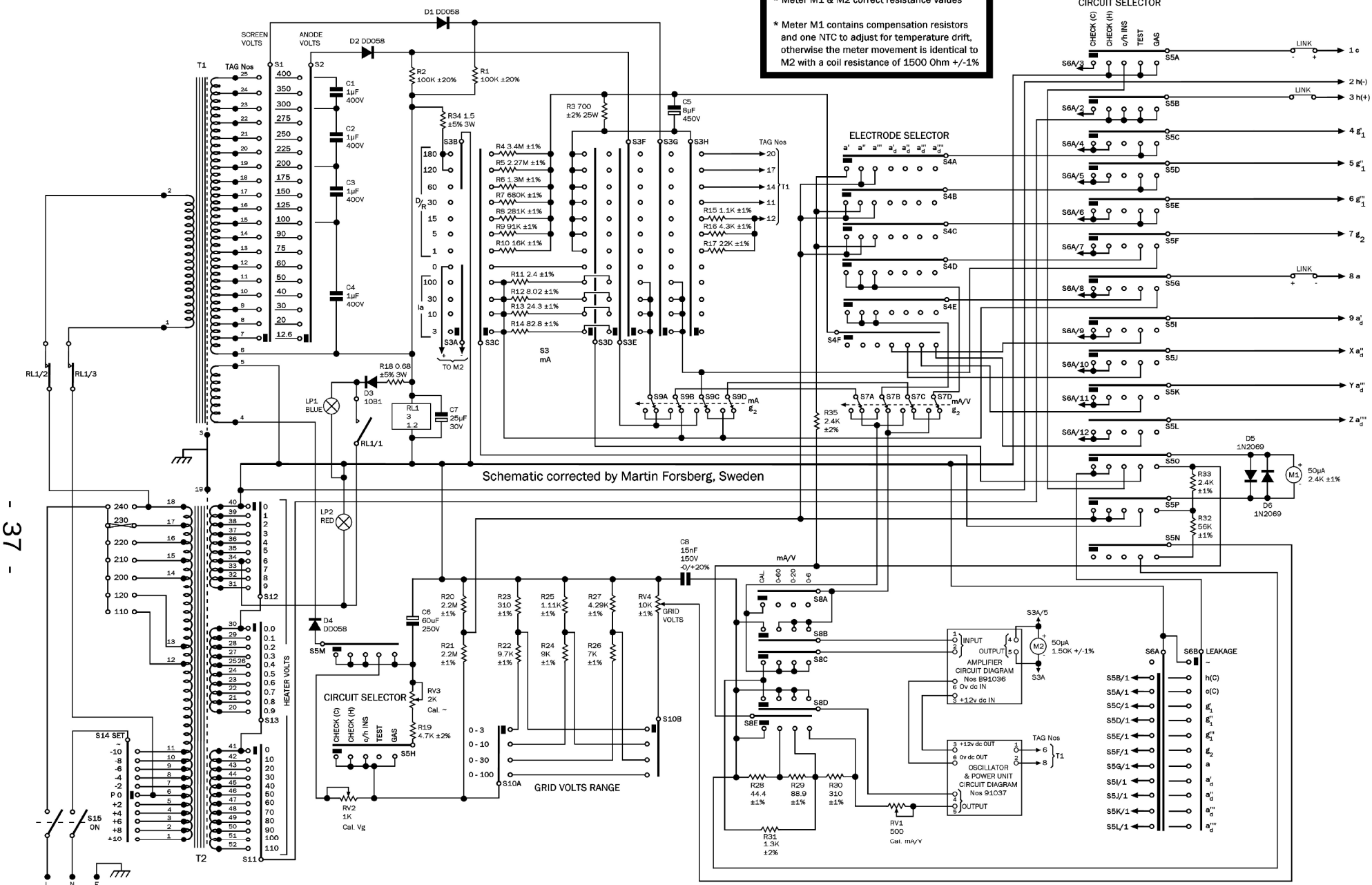


* Connections for C2, C3 & C4 corrected
 * Wires added for S3E connections to S3D for la positions 3, 10, 30 & 100 mA
 * Meter M1 & M2 correct resistance values
 * Meter M1 contains compensation resistors and one NTC to adjust for temperature drift, otherwise the meter movement is identical to M2 with a coil resistance of 1500 Ohm +/-1%



Schematic corrected by Martin Forsberg, Sweden
 Fig 12. Circuit Diagram; Valve Characteristic Meter Type VCM 163