

**AUTOMATIC SYSTEM  
EXTENSION PLANS 105 & 105A INTERNAL & EXTERNAL  
USING PLANPHONE A**

**N4507  
PAGE 1-7  
ISSUE E**

**NOTES:-**

1. The facilities of Plans 105 & 105A are shown on Dgm. N1450.

2. **APPARATUS REQUIRED**

**MAIN**

Planphone A (Note 3)  
Power Unit No. 53B (Note 6)  
Convertor Ringing No. 9A (External Extn only)

**EACH INTERNAL EXTENSION**

Telephone No. 746	Part 4/DBU/363
2 Switches No. 5A-4	Buzzer No. 32C-3
2 Part 1/DPL/1022	Cord Inst. No. 9/21 AD
2 Part 1/DPI/203	Block Term. No. 36B

**Plus:-**

At Extension 1 a Part 6/DBU/363  
At Extension 2 a Part 5/DBU/363

**EACH EXTERNAL EXTENSION**

Telephone No. 746	2 Part 1/DPI/203
Switch No. 5A-4	Switch No. 19B-1
Part 1/DBU/362	Thermistor No. 1A-1
Part 1/DPL/1022	

**MAIN**

3. See Dgm. No. N628 for alternative apparatus when a Planphone A is either not suitable or not available.
4. The diagram shows the connexions for Plan 105, for Plan 105A strap terminals 18 and 19 in Planphone A. (Two straps are located between Terminals 6 & 7 one of these should be used) and shift B-W conductor from 24 to 25.
5. When extension bell is required:-

With Internal Extensions, remove strap between Planphone A terminals 6 and 7, connect extension bell between terminals BT6 and BT7.

With External Extensions remove strap between Planphone A terminals 7 and 8; transfer earth from BT7 to BT5 and connect bell between terminals BT5 and BT7.

6. The Power Unit No. 53B should be fitted in a position adjacent to a 3 pin mains socket. 8 Cells Dry R40 and a Box Battery No. 10 may be provided in lieu of the Power Unit No. 53B if a suitable mains supply is not available. To prevent damage care must be taken to connect the 10V supply, positive to BT2, negative to BT1.
7. When this diagram is used for a PBX extension without recall, internal extensions may only be provided.
8. The cord conductor colours shown are those for a Cord Inst. No. 18/09 AD. The colours shown in brackets refer to the Cord Inst. No. 18/04 AJ.

**EXTENSIONS**

9. See Dgm. N4700 for add-on items when alternative telephones are used.

**INTERNAL EXTENSIONS**

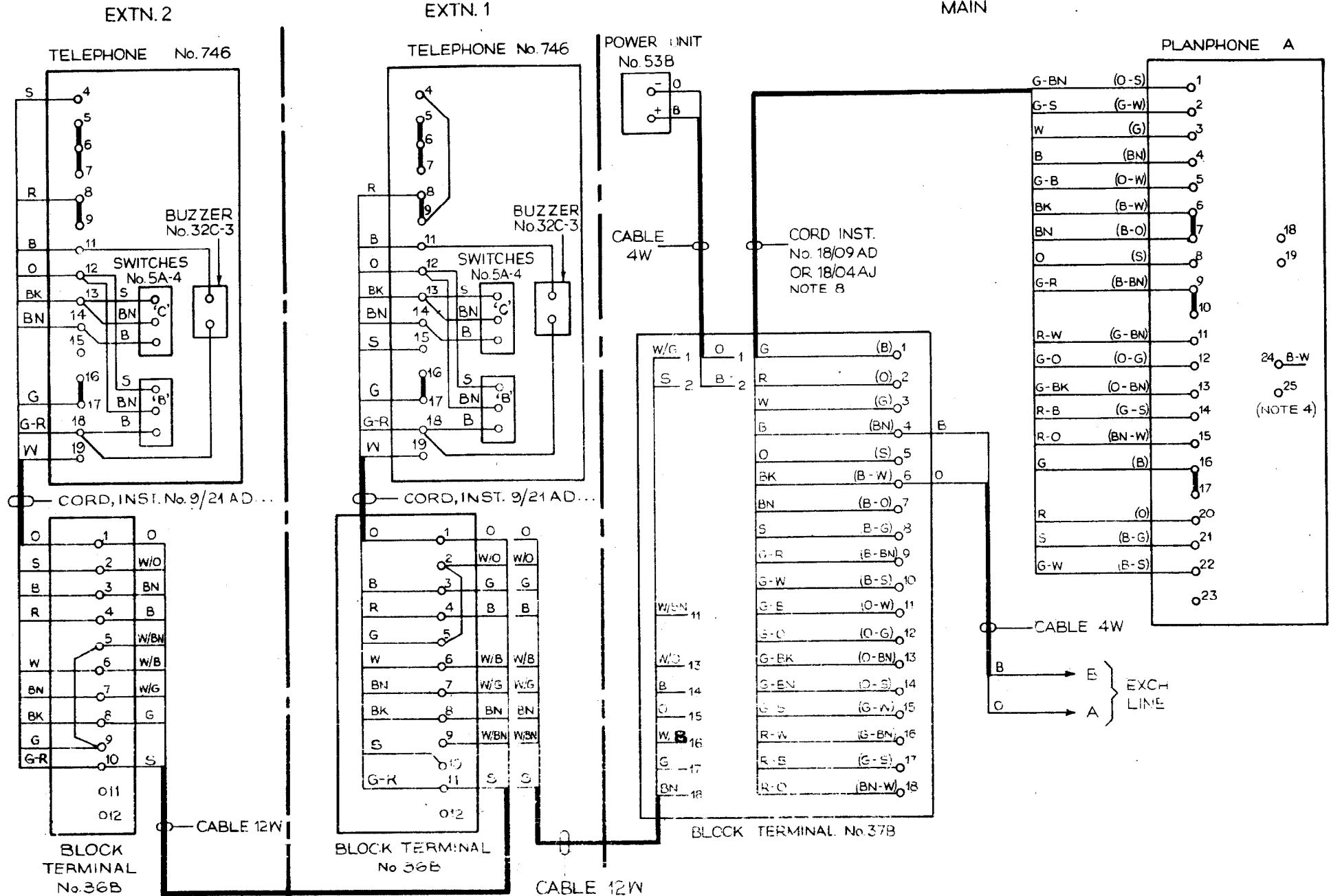
10. Recover Cord Inst. No. 4/21 AT and Block Terminal No. 52A. Provide Cord Inst. No. 9/21 AD and Block Terminal No. 36B. Fit Switch No. 5A-4 with Part 4/DBU/363 in position B. At Extension 1 fit in position C a Switch No. 5A-4 and Part No. 6/DBU/363, at Extension 2 a Switch No. 5A-4 and Part No. 5/DBU/363. Fit Buzzer No. 32C-3 and rearrange straps.
11. An extension bell may be connected in place of the strap BT2-BT5 at Extension 1, or strap BT5-BT9 at Extension 2.

**EXTERNAL EXTENSIONS**

12. Fit Switch No. 5A-4 with Parts 1/DBU/362, 1/DPL/1022 & 1/DPI/203. Fit Switch 19B-1, Thermistor No. 1A-1 and rearrange straps as shown.
13. When an extension bell is required remove strap between telephone terminals T16 and T17 and shift blue cord conductor from T15 to T16. Connect extension bell between terminals BT2 and BT3 in Block Terminal No. 52A.
14. In UAX areas with vibrator ringing fit Valve Electronic CV8790 between terminals T4 and T5 in telephone.

PO TELECOMMS HQRS.  PAPER:- W DISTN:- CB & AUTO	ISSUE	E	MINOR AMENDMENTS AND NOTES 2, 4 & 6 AMENDED. <i>gpb</i>	5-1-78
		D	REDRAWN, TELEPHONES CHANGED, NOTES 2-14 REWRITTEN <i>D</i> TD7.1.1	12-12-74
		C	SWITCHES NO. 5A-4 FITTED, NOTES 14 to 16 ADDED	2.1.63

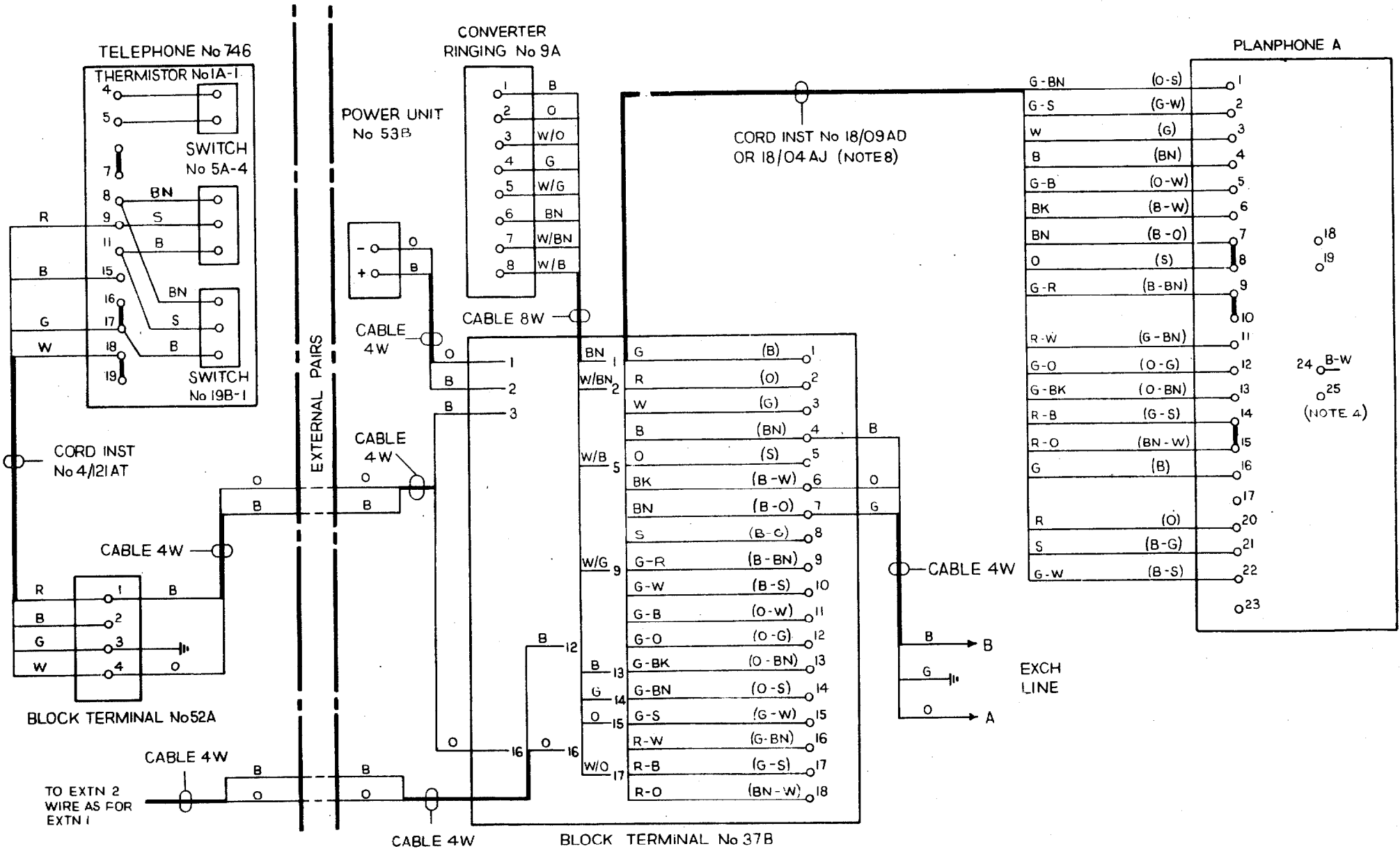
WIRING  
INTERNAL



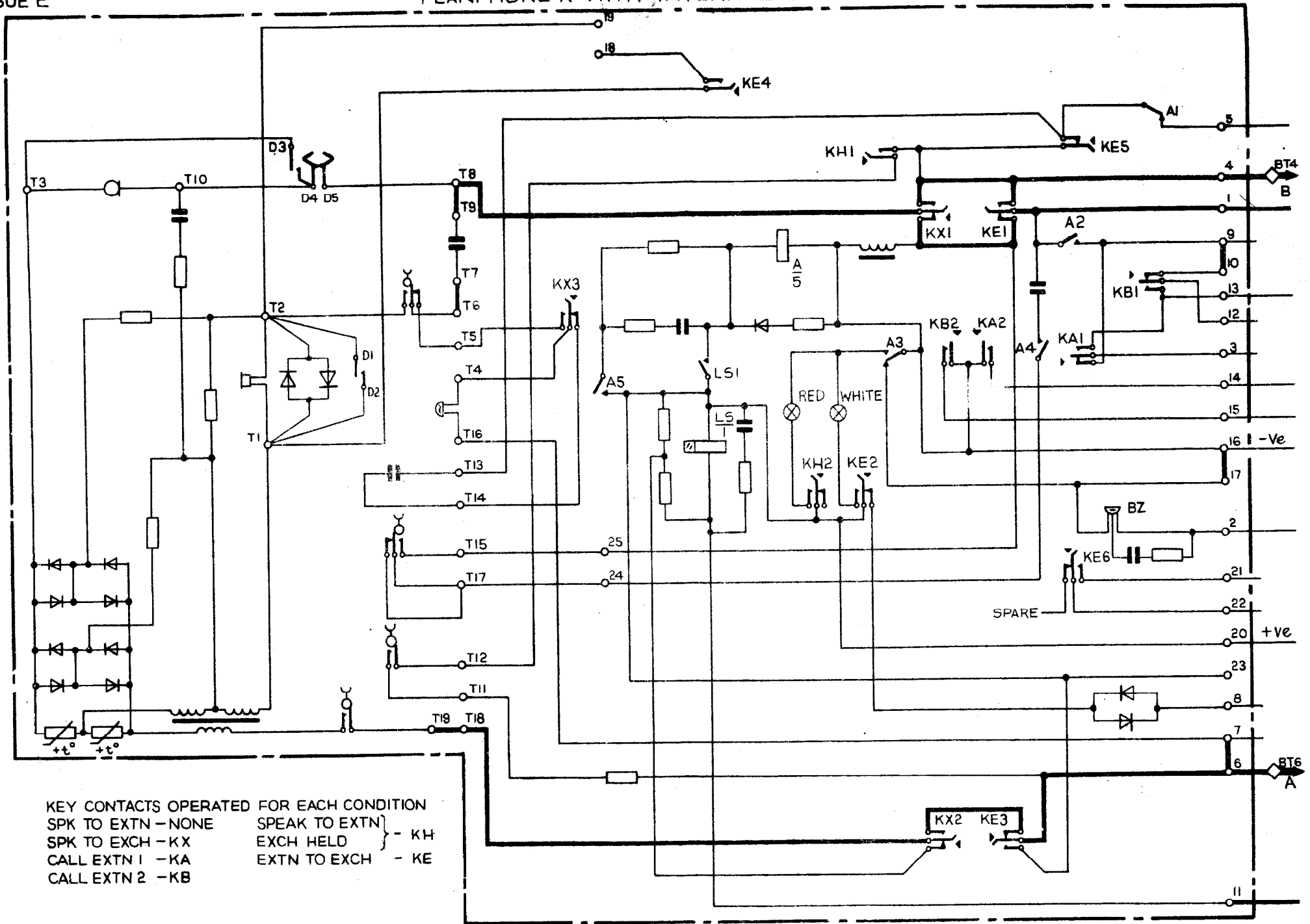
# WIRING EXTERNAL

EXTENSION

MAIN



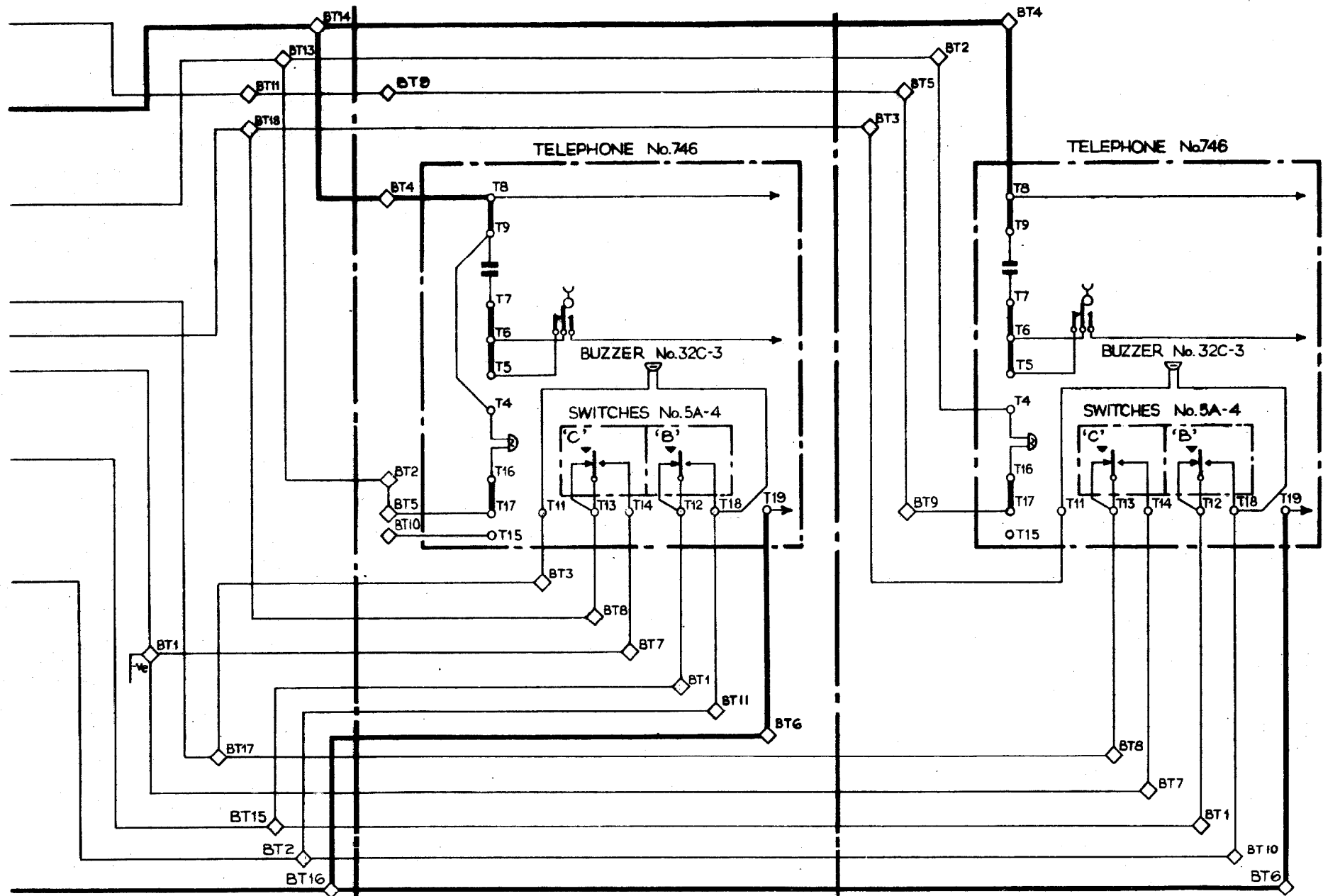
EXPLANATORY  
MAIN  
PLANPHONE A WITH INTERNAL EXTENSION



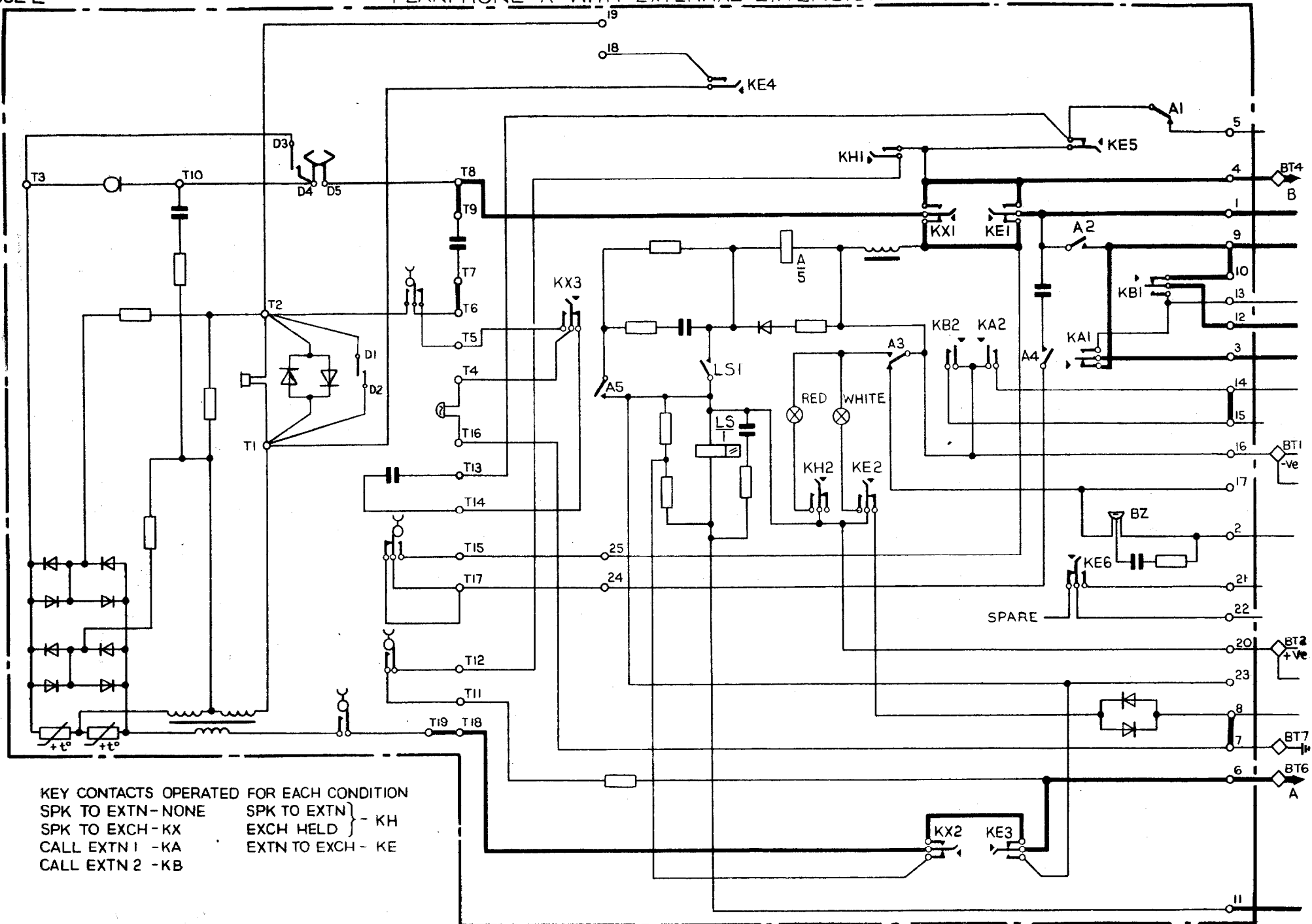
INTERNAL EXTENSIONS

EXTENSION 1

EXTENSION 2



EXPLANATORY  
MAIN  
PLANPHONE A WITH EXTERNAL EXTENSION



KEY CONTACTS OPERATED FOR EACH CONDITION  
 SPK TO EXTN - NONE      SPK TO EXTN } - KH  
 SPK TO EXCH - KX        EXCH HELD }  
 CALL EXTN 1 - KA        EXTN TO EXCH - KE  
 CALL EXTN 2 - KB

EXTERNAL EXTN. 1

EXTERNAL EXTN. 2

