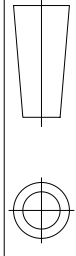
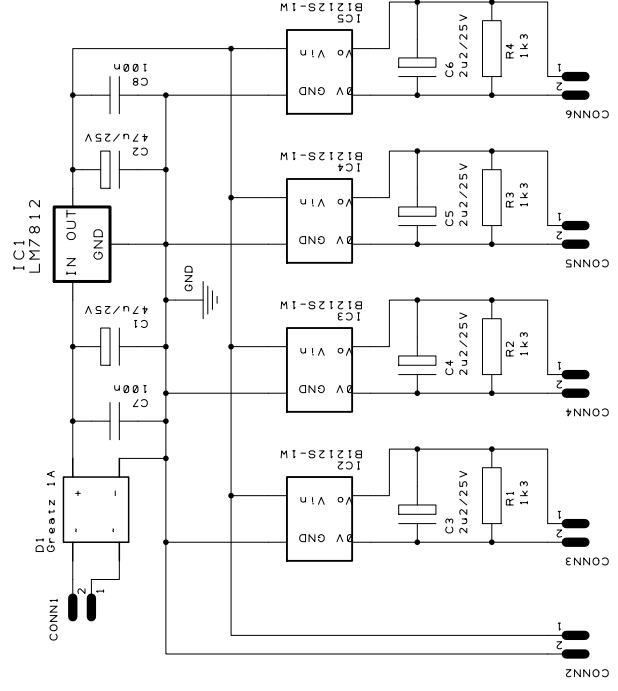


- CONN1 - 10.5V AC input
- CONN2 - 12V DC output
- CONN3 - 12V DC output
- CONN4 - 12V DC output
- CONN5 - 12V DC output
- CONN6 - 12V DC output



Projection  
Do Not Scale

Client

Filename

Check

Drawn  
*Strumbelj*

Project

Drn

Drn

Drn

Chk

SUSSEX valve tester

DVM supply

Drn

Drn

Drn

Chk

Chk

# Ibis Audio

Drawing No.

Sheet  
of