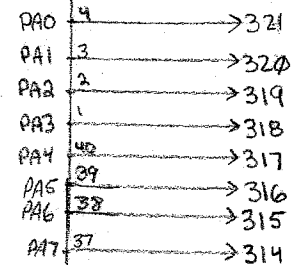
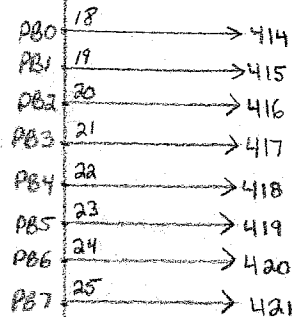


CSFFX

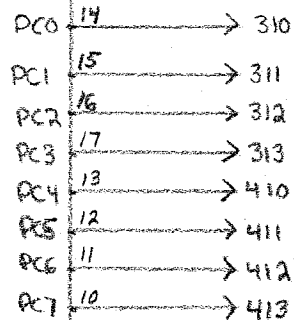
INS8255



PORT A

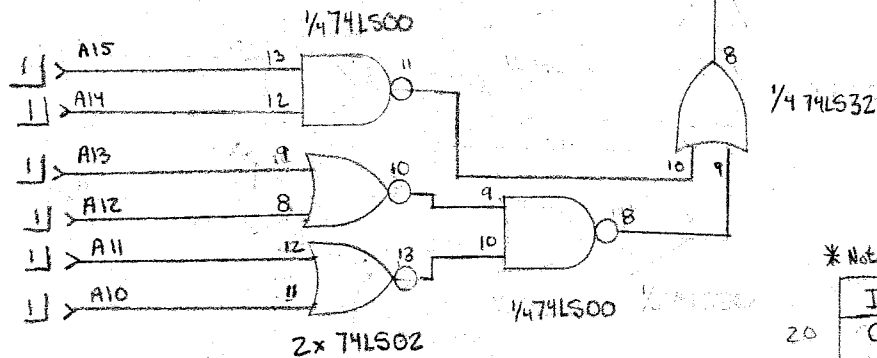
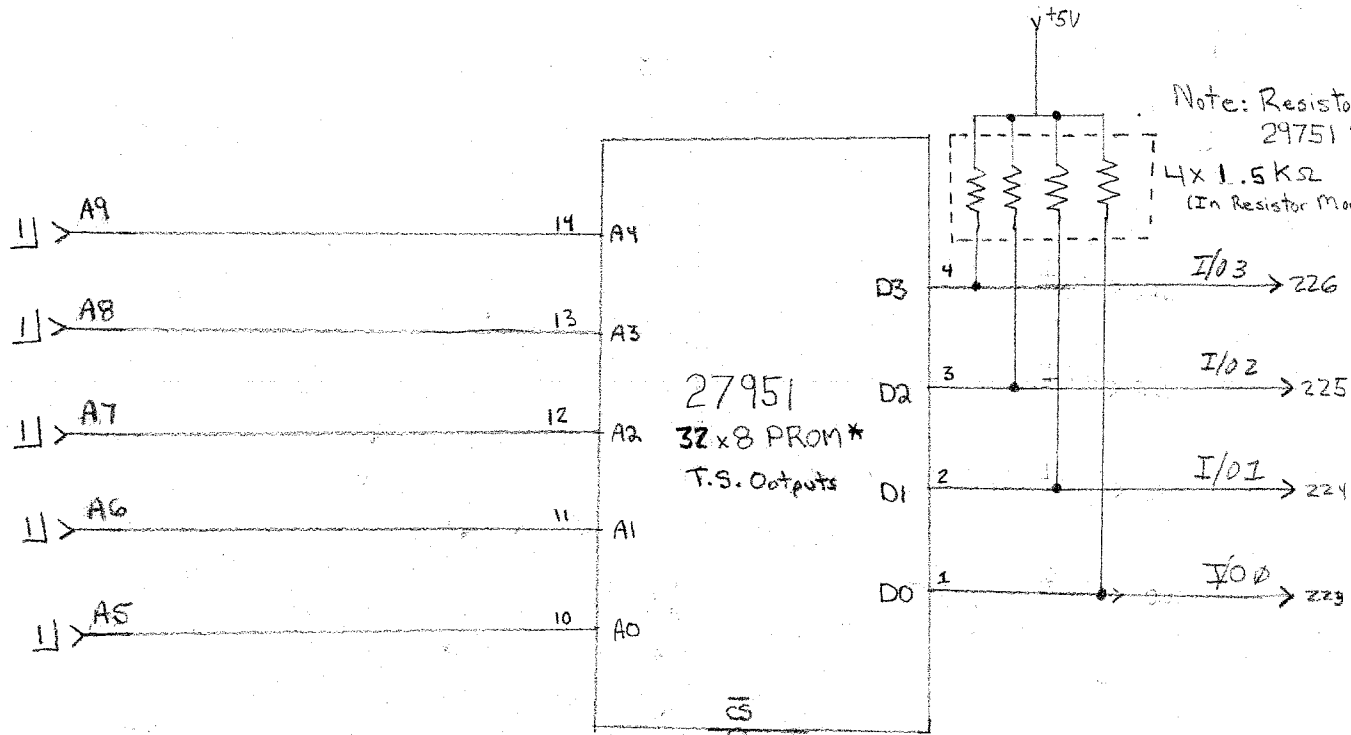


PORT B



PORT C

* 8255 I/O at #FF00 thru #FF03



I/O Select: C000 - C1E0 in 32 Byte Blocks

* Note: See Appendix 3

* Note: Address C000 is Illegal

I/O Bit	3	2	1	0	
20	C000	1	1	1	1
21	C020	1	1	1	0
22	C040	1	1	0	1
23	C060	1	1	0	0
24	C080	1	0	1	1
25	C0A0	1	0	1	0
26	E0C0	1	0	0	1
27	E0E0	1	0	0	0
28	C100	0	1	1	1
29	C120	0	1	1	0
2A	C140	0	1	0	1
2B	C160	0	1	0	0
2C	C180	0	0	1	1
2D	C1A0	0	0	1	0
2E	C1C0	0	0	0	1

101	Ground
102	+5 Volts
103	A0
104	A1
105	A2
106	A3
107	A4
108	A5
109	A6
110	A7
111	A8
112	A9
113	A10
114	A11
115	A12
116	A13
117	A14
118	A15
119	D0
120	D1
121	D2
122	D3
123	D4
124	D5
125	D6
126	D7
127	+15 Volts
128	Ground

*

**

Terminal Socket

Pin #	Signal	Color
11-2	Trans.	green
3	Rec.	white
12	Gnd.	shield
11	+5V	Red
13	Reset	Black

201	Ground
202	+5 Volts
203	4MHz CLK
204	NBREQ
205	2MHz CLK
206	NENOUT
207	1MHz CLK
208	NENIN
209	500kHz CLK
210	NHOLD ENABLE #
211	V _{Batt} (≈ 3.5V)
212	-15 Volts
213	NRD
214	NWR
215	NHold In. O.C.
216	F1
217	F2
218	F3
219	Reset L
220	Reset H
221	SA O.C.L
222	SB o.c.l
223	I00
224	I01
225	I02
226	I03
227	+25 Volts
228	Ground

I/O Select (active Low)

* All Address Lines are buffered
 ** All Data Lines are Buffered

BACKPLANE

301	Ground
302	+5 Volts
303	Reset IN
304	Ground
305	Ground
306	Serial IN (EIA)
307	Serial out (EIA)
308	SA
309	SB
310	PC0
311	PC1
312	PC2
313	PC3
314	PA7
315	PA6
316	PA5
317	PA4
318	PA3
319	PA2
320	PA1
321	PA0
322	Ground

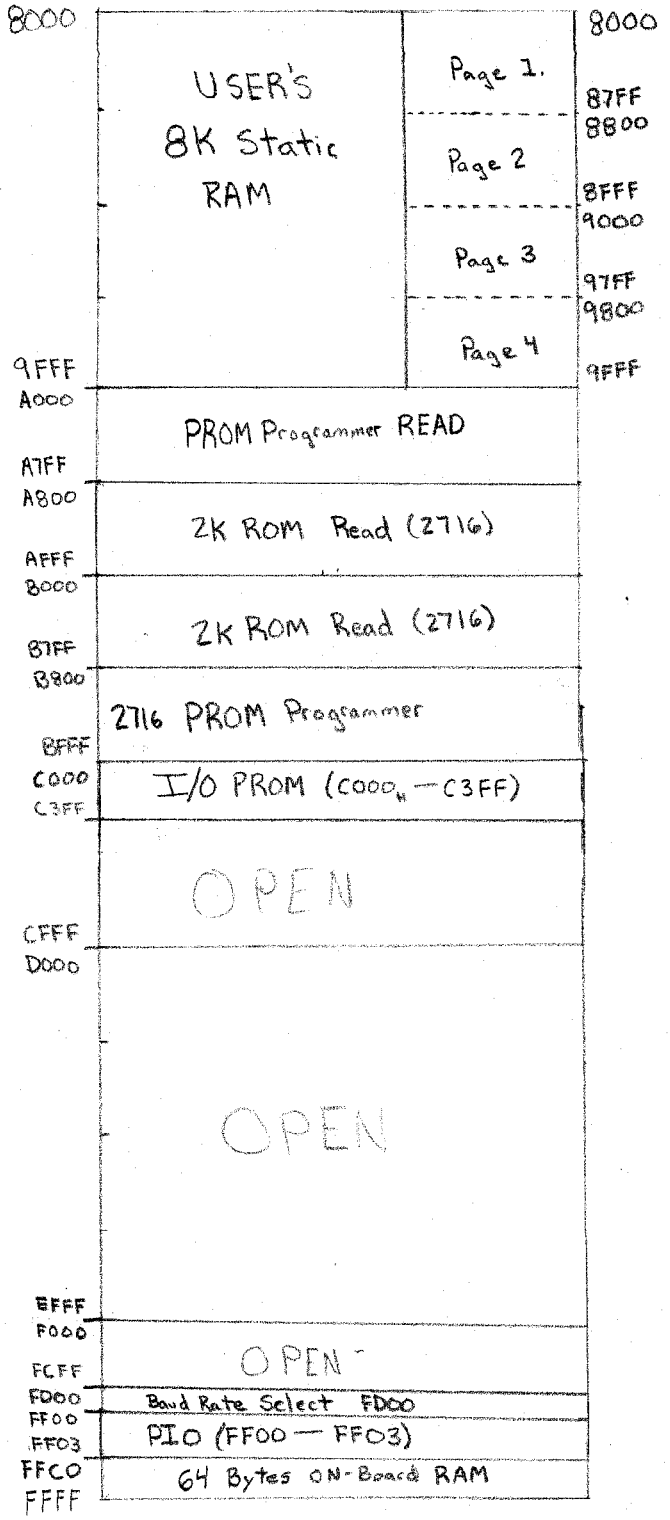
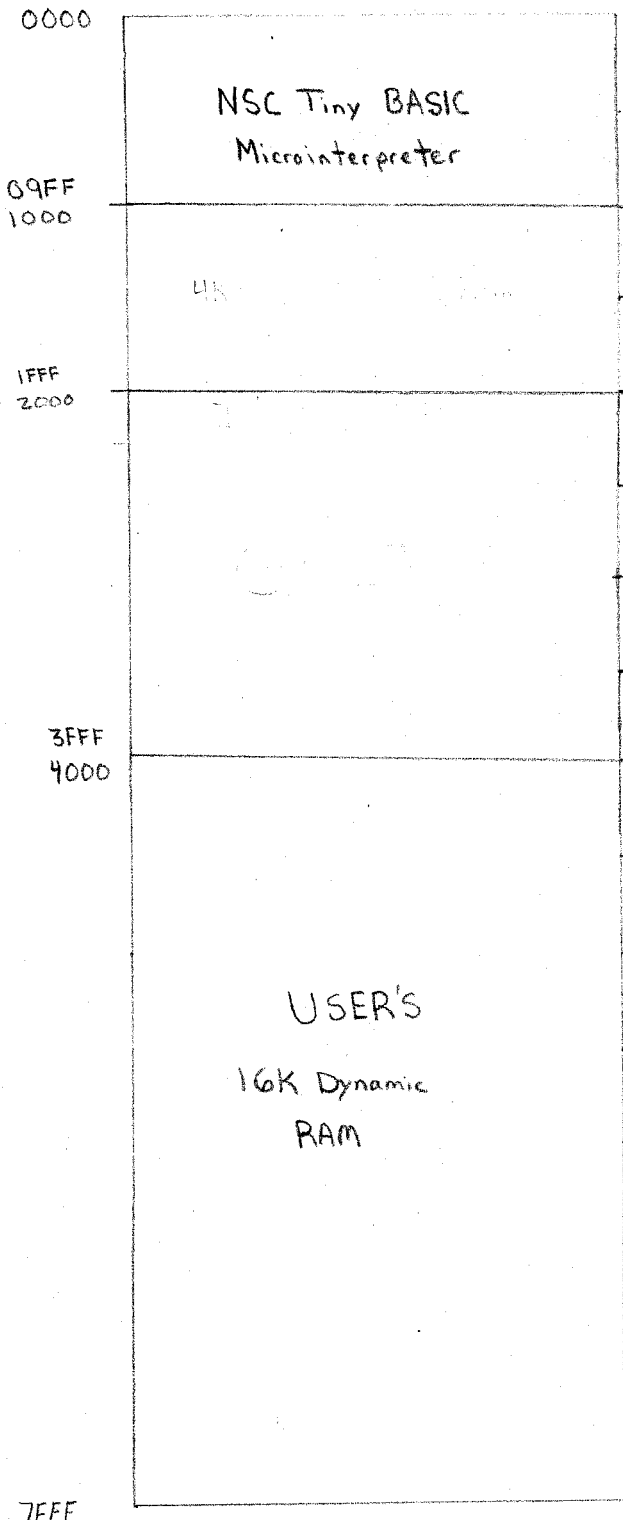
RS-232-C DB25

N.C.	1	Frame gnd
yellow	2	Transmit Data
Red	3	Receive Data
Blue	4	Req. to Send
green	5	Clr. to Send
gray	6	Data Spt Ready
black	7	Signal Gnd
white	8	Carrier Detect
brown	14	Spare
orange	20	Data Terminal Ready

401	Ground
402	+5 Volts
403	External 5.6V (I1-I11)
404	F1
405	F2
406	F3
407	+15V
408	-15V
409	+25V
410	PC4
411	PC5
412	PC6
413	PC7
414	PB0
415	PB1
416	PB2
417	PB3
418	PB4
419	PB5
420	PB6
421	PB7
422	Ground

RS-232-C DB9

N.C.	1	Frame gnd
yellow	2	Transmit Data
Red	3	Receive Data
blue	4	Req. to Send
green	5	Clr. to Send
gray	6	Data Spt Ready
black	7	Signal gnd
white	8	Carrier Detect
orange	9	Data Terminal Ready



64K MEMORY MAP