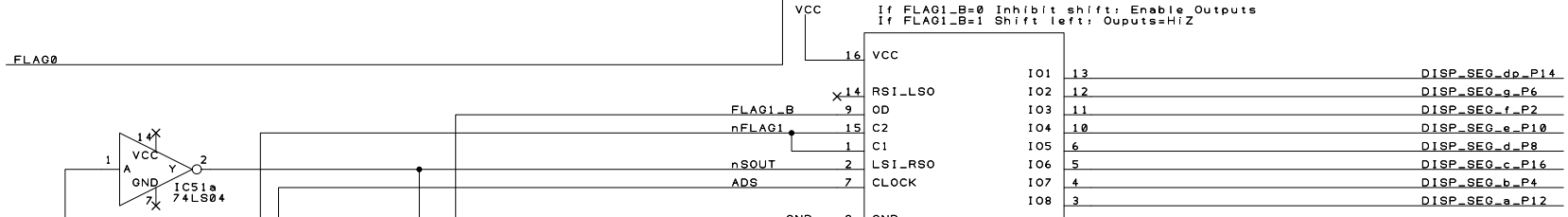
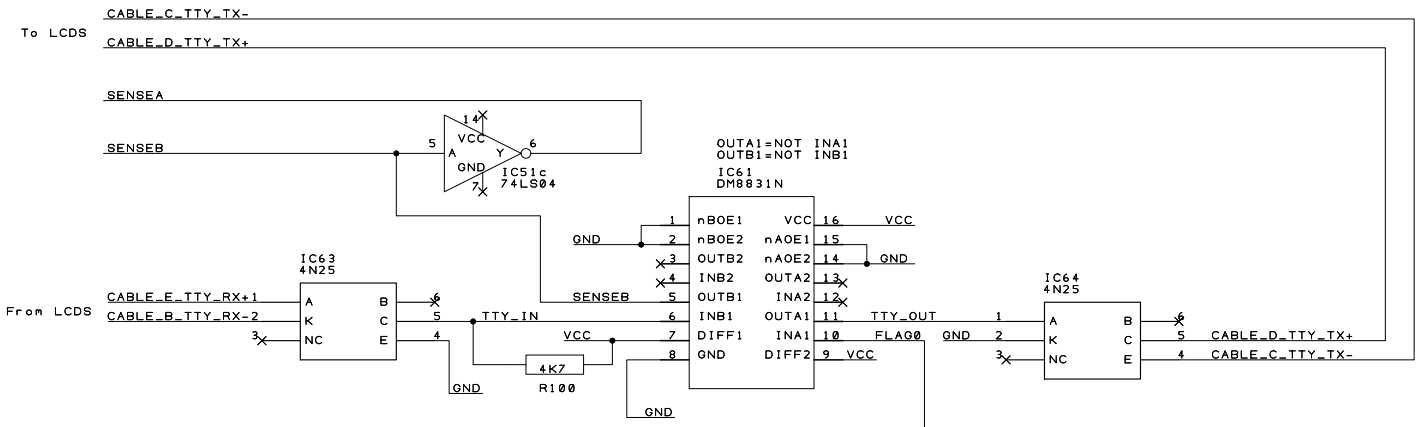
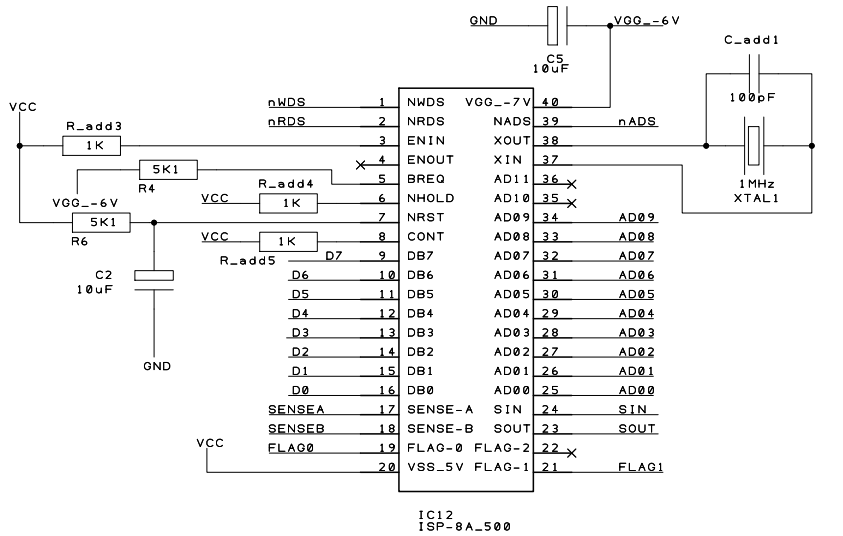
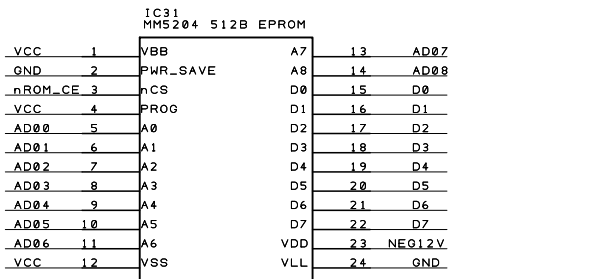
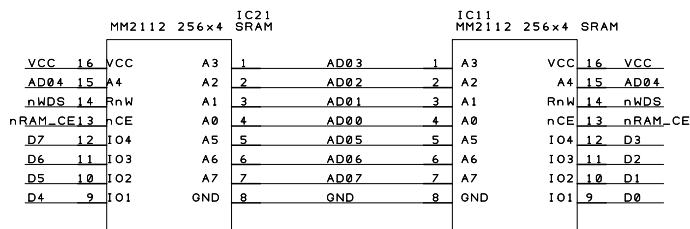
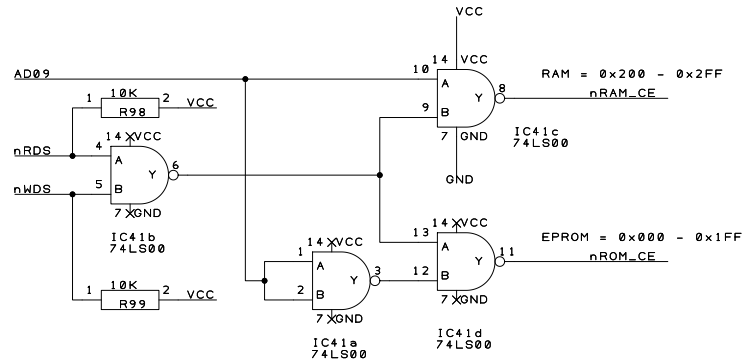
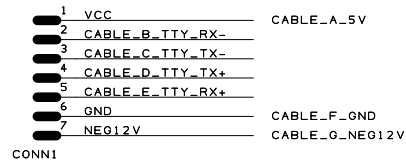
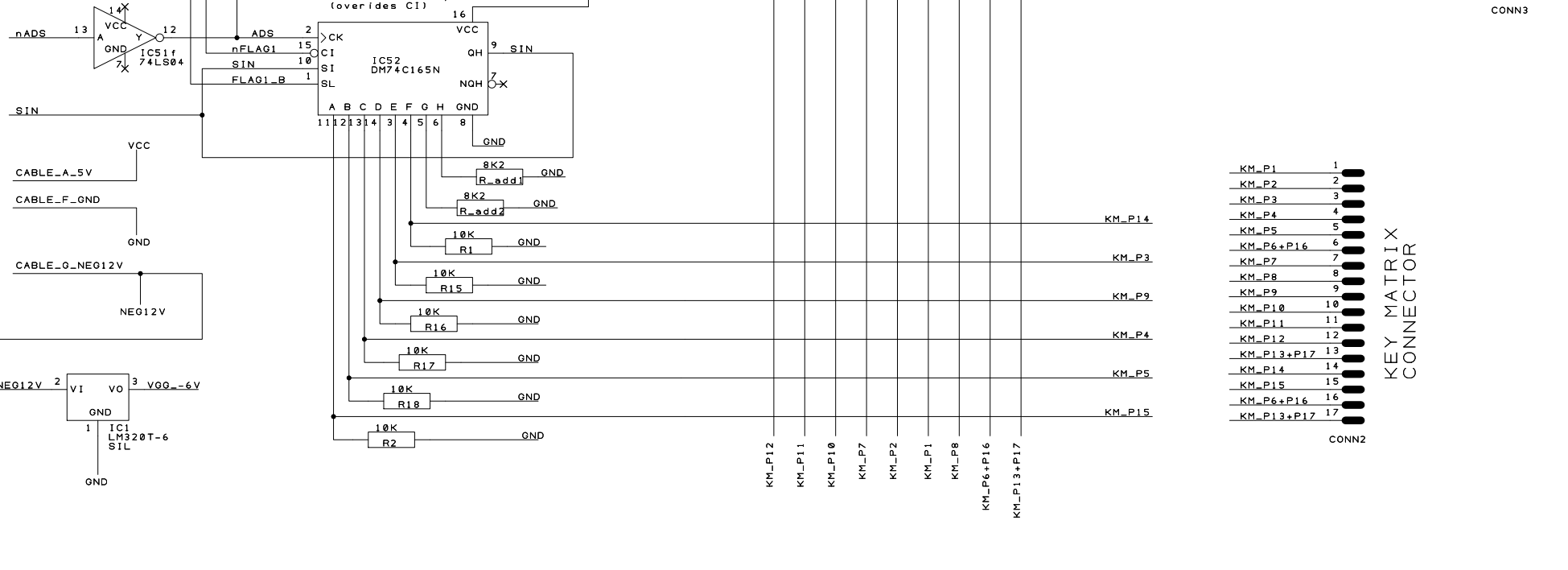
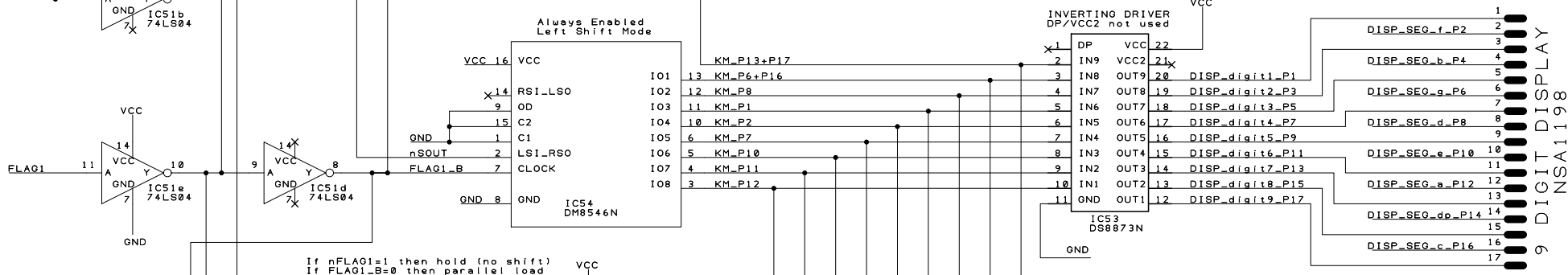


TTY I/F CONNECTOR



aaa
fgg
ggg
eee
ddd



E	D	C	B	A	Drawn Ian Reynolds 1st Jan 2024	Check	Projection Do Not Scale		TELEKIT SC/MP 537 PCB 1st Jan 2024
Drn	Drn	Drn	Drn	Project TELEKIT SC/MP 537 PCB	Client				
Chk	Chk	Chk	Chk	Title TTY PROCESSOR	Filename				
Drawing No.								Sheet 1 of 1	