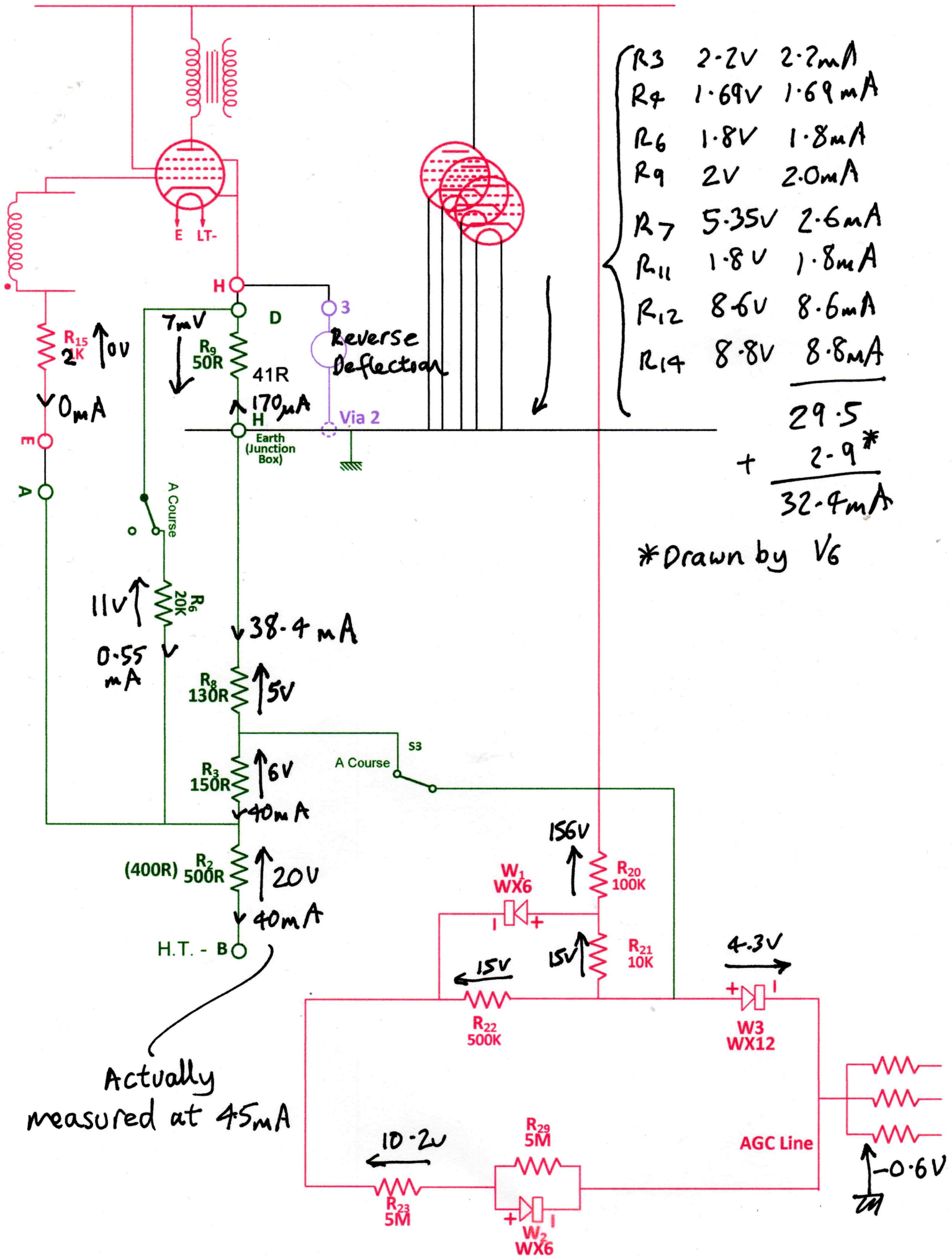


# COURSE



R3	2.2V	2.2mA
R4	1.69V	1.69mA
R6	1.8V	1.8mA
R9	2V	2.0mA
R7	5.35V	2.6mA
R11	1.8V	1.8mA
R12	8.6V	8.6mA
R14	8.8V	8.8mA

$$\begin{aligned}
 & 29.5 \\
 & + \frac{2.9^*}{32.4 \text{ mA}}
 \end{aligned}$$

\* Drawn by V6

Actually measured at 45mA