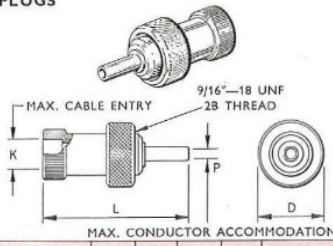
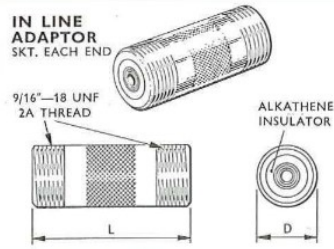


**PLUGS**



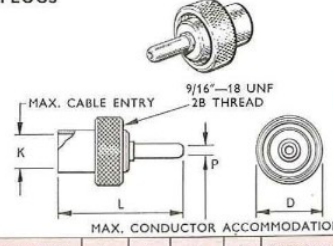
PART NUMBER	D	K	L	P	INSERT MATL.
JP1-250-CCT	11/16	.250	1.5/8	.078	P, T, F, E.
JP1-300-CCT	11/16	.295	1.5/8	.078	P, T, F, E.

**IN LINE ADAPTOR**  
SKT. EACH END



PART NUMBER	D	L
JS-1-DE	9/16	1.5/8

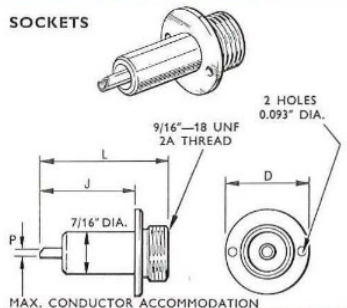
**PLUGS**



PART NUMBER	D	K	L	P	INSERT MATL.
JP-1-250	11/16	1/4	1.17/64	.078	CERAMIC
JP-1-375	11/16	3/8	1.11/32	.078	CERAMIC

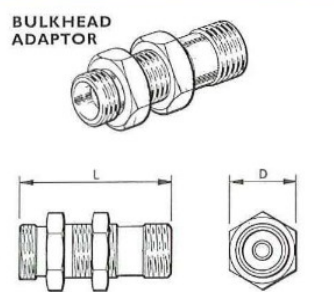
# Jones Co-axials.

**SOCKETS**



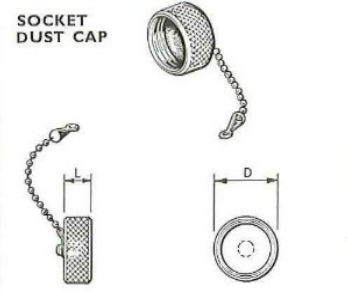
PART NUMBER	D	J	L	P	INSERT MATL.
JS-1-PF	7/8	1.1/32	1.3/8	.096	ALKATHENE
JSF-1-PF	7/8	1.1/32	1.3/8	.096	P, T, F, E.

**BULKHEAD ADAPTOR**



PART NUMBER	D	L	INSERT MATL.
JS-1-BHF	11/16 A/F	1.5/8	ALKATHENE

**SOCKET DUST CAP**



PART NUMBER	D	L
JS-1-DC	11/16	3/16