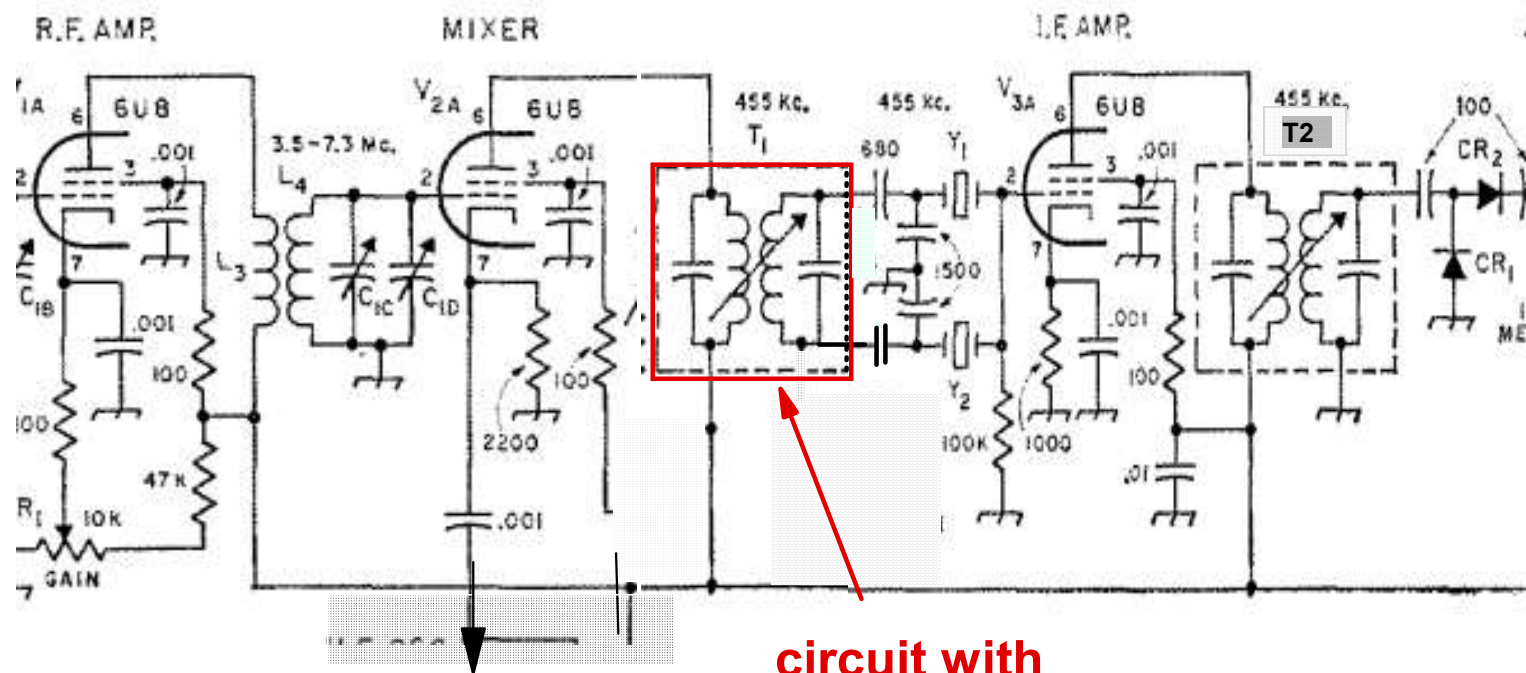


original circuit



circuit with
Extra IFT