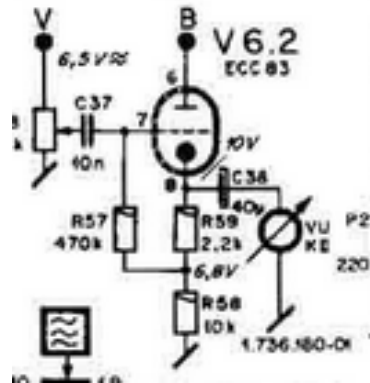


VU meter driver  
HT B is 220V



VU meter driver  
HT C is 190V

