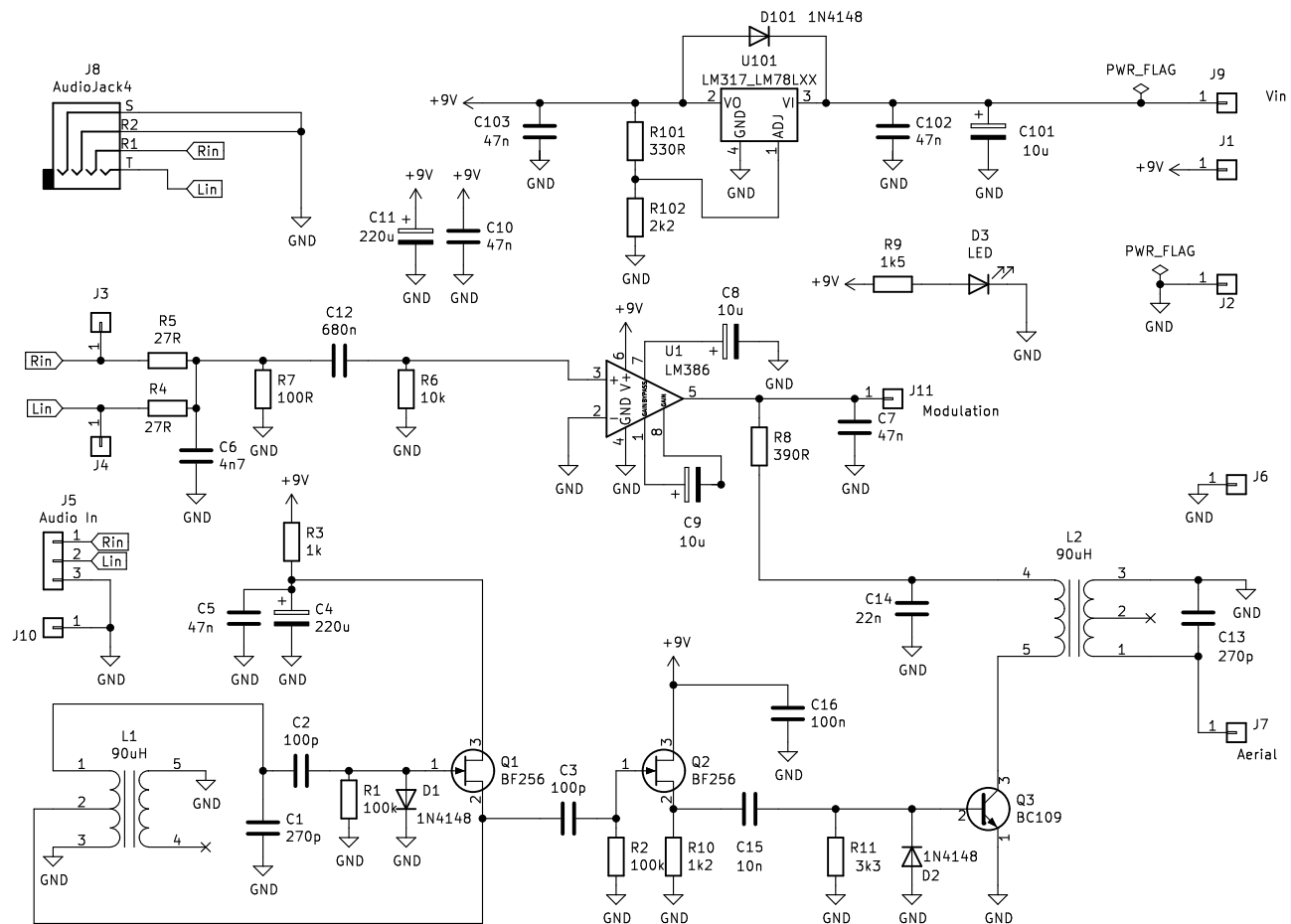


If using battery replace D101 with a link, do not fit U101, R101 or R102. - C101 to C103 are optional
 If using LM78L09 Fit U101, D101 and C101 to C103. Do not fit R101 and R102.
 If using LM317 fit all components ref 100 and up.



MiniMod Mk2 c G4JQT 2022

Sheet: /
 File: Minimod V2 PM2.kicad_sch

Title:

Size: A4
 KiCad E.D.A. kicad (6.0.8)

Date:

Rev:

Id: 1/1