

FIG. 7

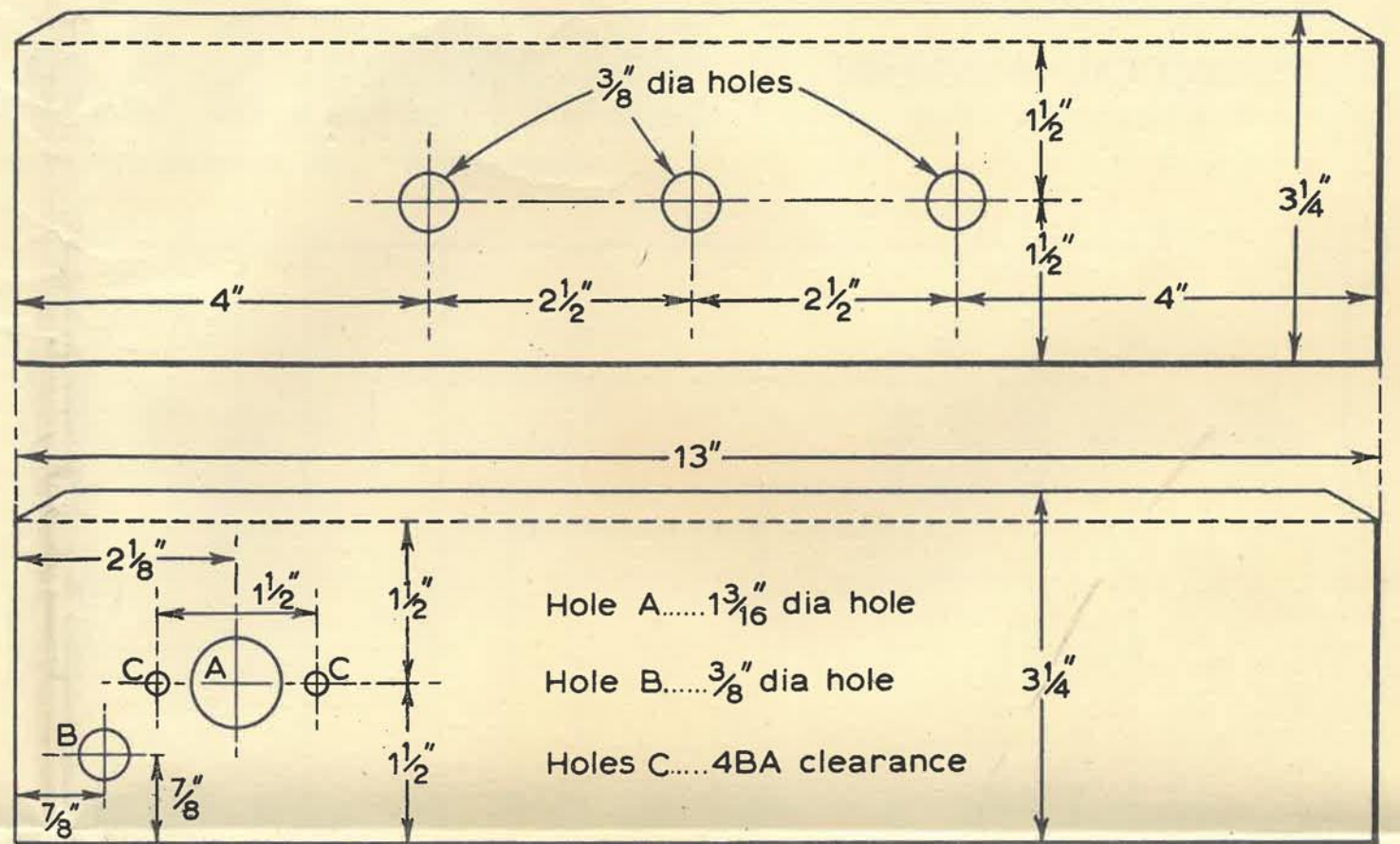


FIG. 8

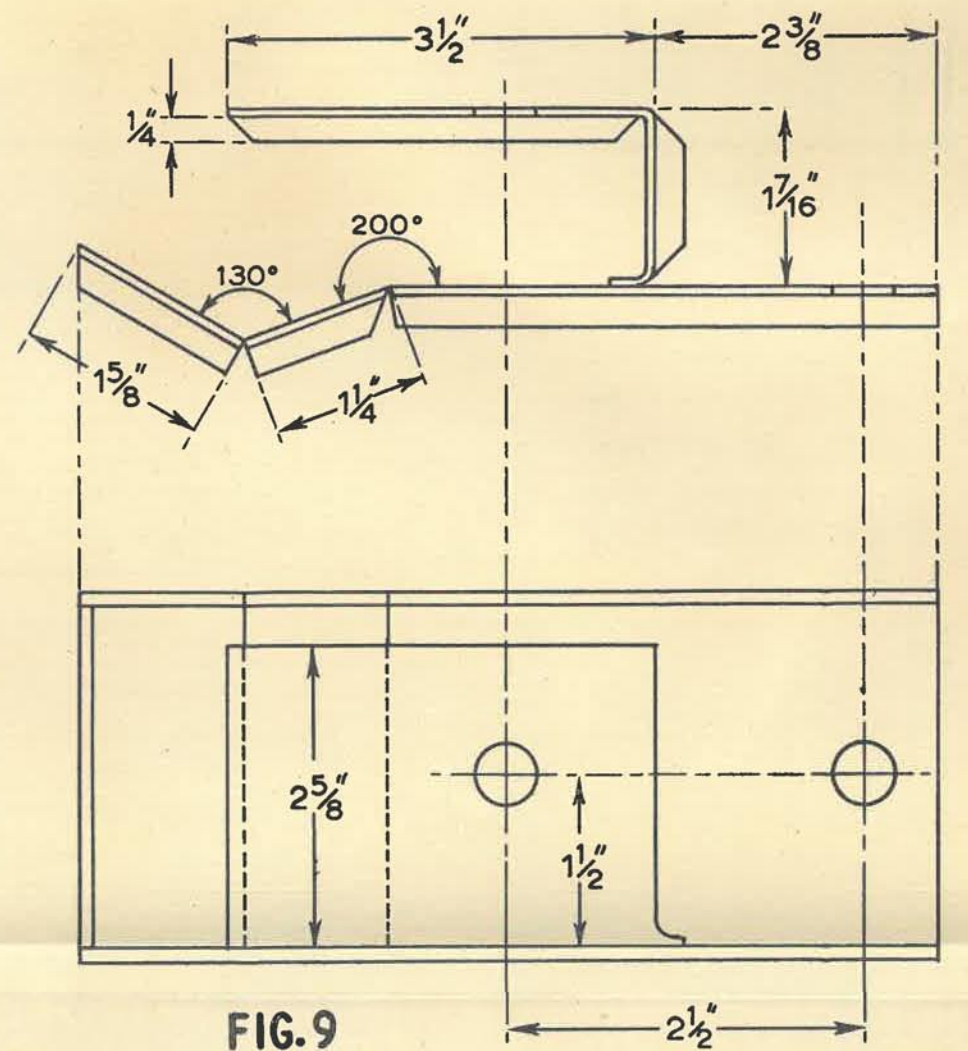


FIG. 9

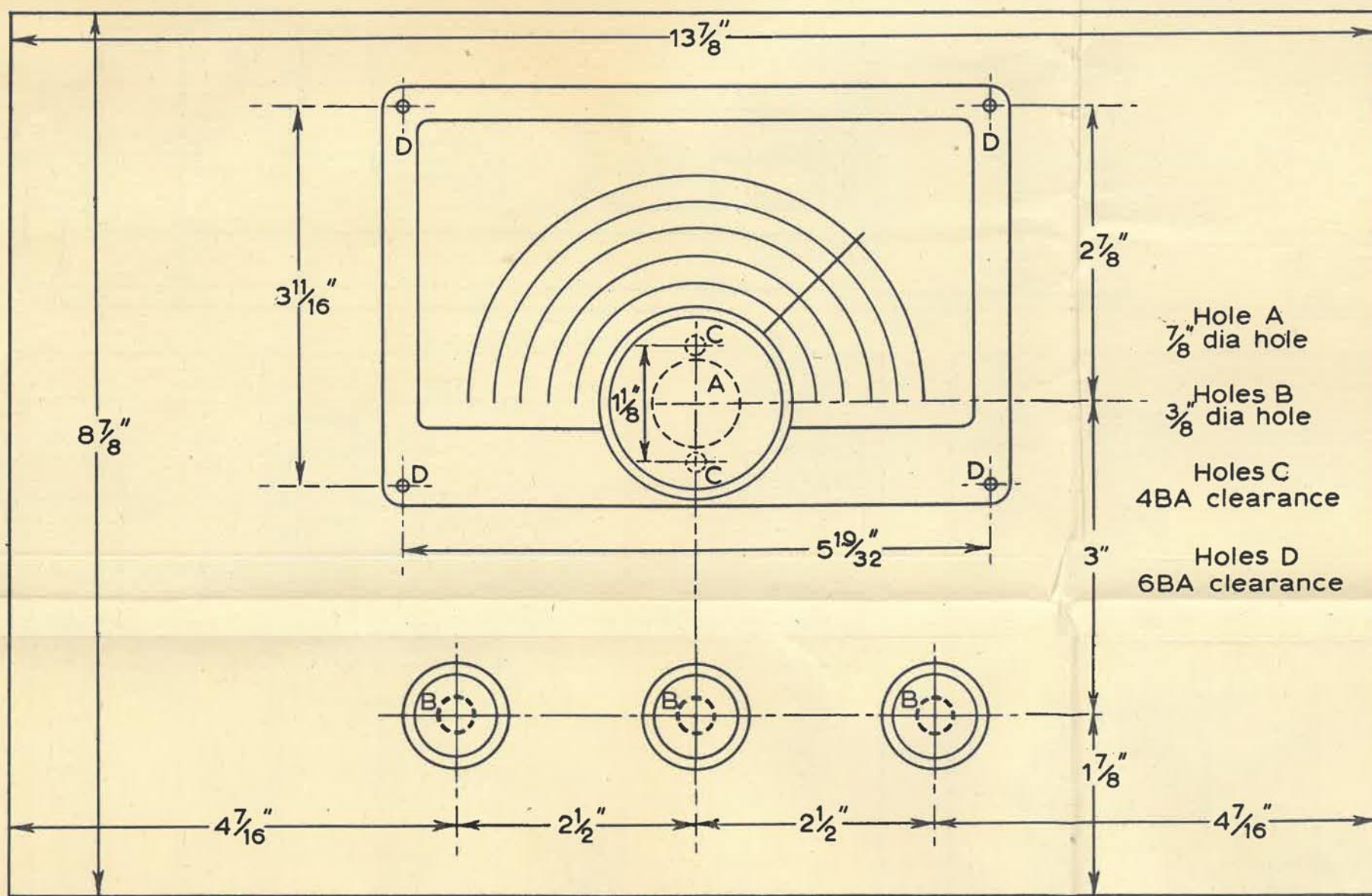


FIG. 10

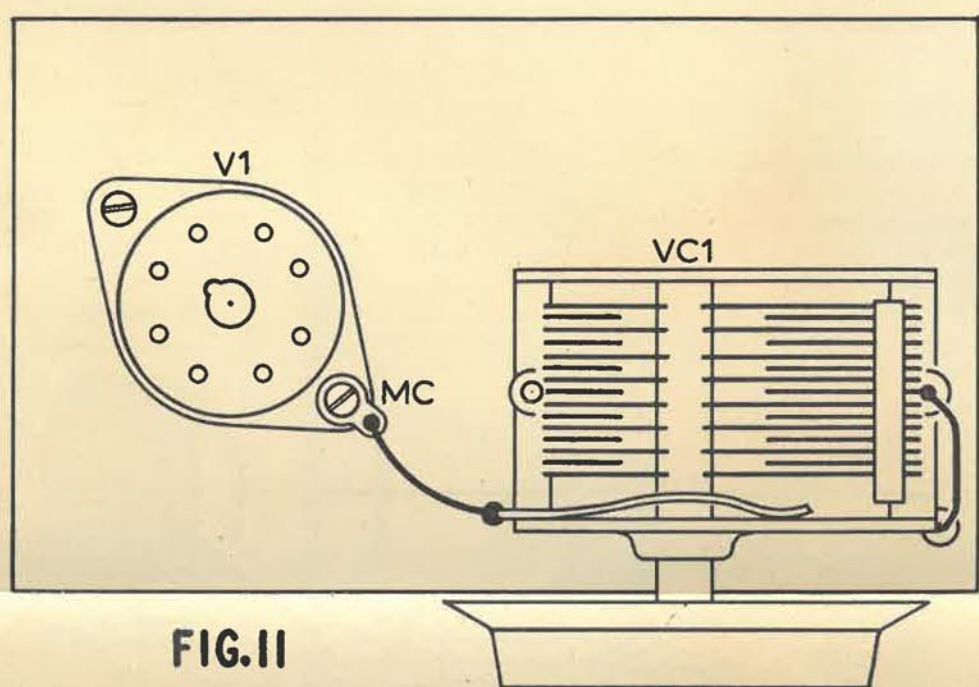


FIG. 11

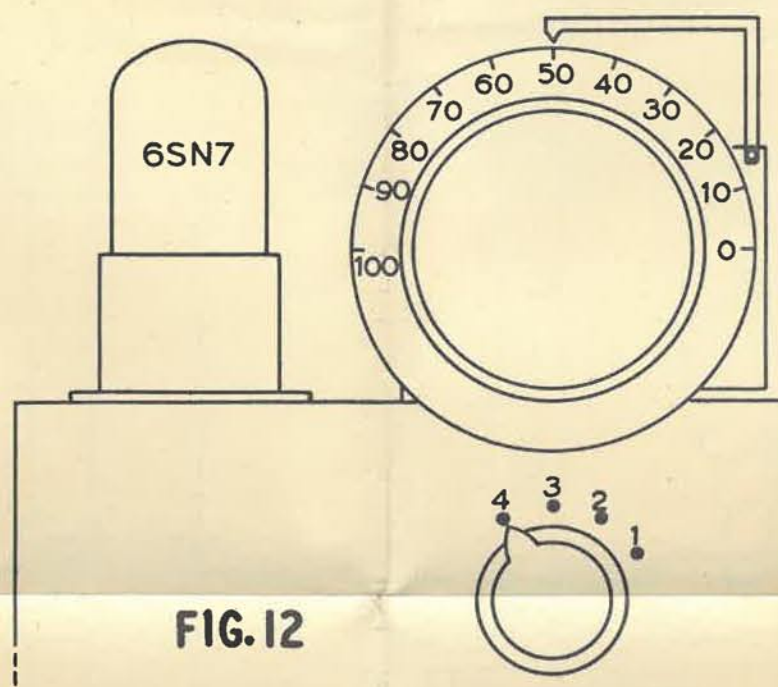


FIG. 12

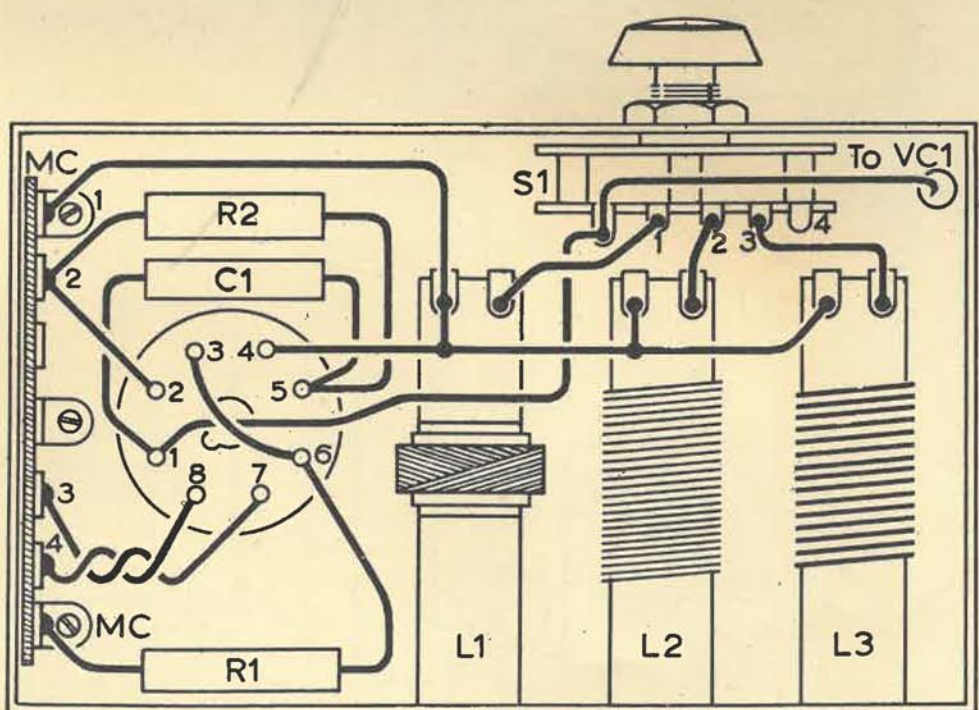


FIG. 13

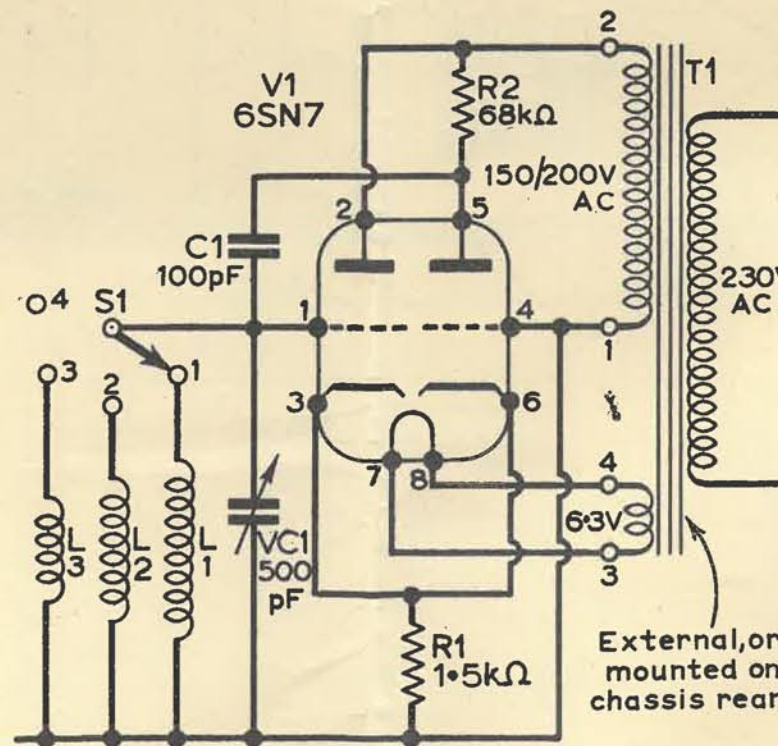


FIG. 14

COMPONENTS LIST

Resistors:

- R1 27kΩ 1W
- R2 2.2kΩ
- R3 330Ω
- R4 47kΩ
- R5 47Ω
- R6 27kΩ
- R7 47kΩ
- R8 2.2kΩ
- R9 330Ω
- R10 27kΩ 1W
- R11 150kΩ
- R12 1.5kΩ 1W
- R13 150kΩ 1W
- R14 270kΩ
- R15 250Ω 3W w.w.
- R16 10kΩ

Capacitors:

- C1 0.01μF 500V
- C2 0.01μF 500V
- C3 0.01μF 500V
- C4 100pF silver mica
- C5 0.01μF 500V
- C6 0.01μF 500V
- C7 0.01μF 500V
- C8 0.01μF 500V
- C9 8μF electrolytic 500V
- C10 250pF silver mica
- C11 0.01μF 500V
- C12 250pF silver mica
- C13 25μF electrolytic 50V
- C14 0.01μF 500V
- C15 25μF electrolytic 50V
- C16, 17 16+16μF elec. 500V
- TC1 50pF trimmer (Jackson C804)
- TC2 50pF trimmer (Jackson C804)
- VC1, VC2 300pF twin-gang variable (Jackson E2)

Inductors:

- T1 Pentode-type output transformer (Wharfedale OP3)
- T2 Mains transformer. Secondaries: 250-0-250V 100mA, 6.3V 3A, 5V 2A.
- IFT1 1.6 Mc/s i.f. transformer (Denco IFT6A)
- IFT2 1.6 Mc/s i.f. transformer (Denco IFT6A)
- L1 Aerial coil (Denco Maxi-Q blue coil, ranges 3, 4, 5—plug-in octal type)
- L2 Oscillator coil (Denco Maxi-Q white coil, ranges 3, 4, 5—plug-in octal type)
- L3 10H i.f. choke 80—100mA

Miscellaneous:

- S1 D.P. on/off toggle switch, 250V 1A
- Four international octal valveholders—ceramic type. Four international octal valveholders—standard type.
- Universal chassis parts, 7in. x 13in. x 3in. (Home Radio). Top plate (panel) 8in. x 14in. (Home Radio). Side plate (screen) 3in. x 10in. (Home Radio). Full vision dial (Stratton). Flexible coupler (Stratton). Two 1/4in. brass couplings. Two 1/4in. spindle bushes. Four 7-way tag strips—3 ways earthed (Home Radio). Three 1/4in. knobs. Two chrome handles. One jack plug (Bulgin P38). One I.O. top-grid cap. Two octal plugs. Loudspeaker. Three 1/4in. rubber grommets. 4 B.A. nuts, bolts, solder tags, wire, etc.

Sockets:

- SK1 Coaxial socket
- SK2 International octal valveholder (standard type)
- SK3 International octal valveholder (standard type)
- J1 Closed-circuit jack socket (Bulgin J12)

Valves:

- V1 6K8
- V2 6SK7
- V3 6J5GT
- V4 6J5GT
- V5 6V6G
- V6 5Z4

COMPONENTS LIST FOR ALIGNMENT OSCILLATOR

- V1 6SN7
- R1 1.5kΩ 1W
- VC1 500pF variable capacitor (Jackson E1)
- C1 100pF silver mica
- S1 Single-pole, 4-way rotary switch
- T1 Mains transformer. Secondaries: 200V 20mA, 6.3V 1A.
- L1, 2, 3 See text
- One I.O. valveholder. Knobs, dial, etc.