

PRE-AMPLIFIER Contd.

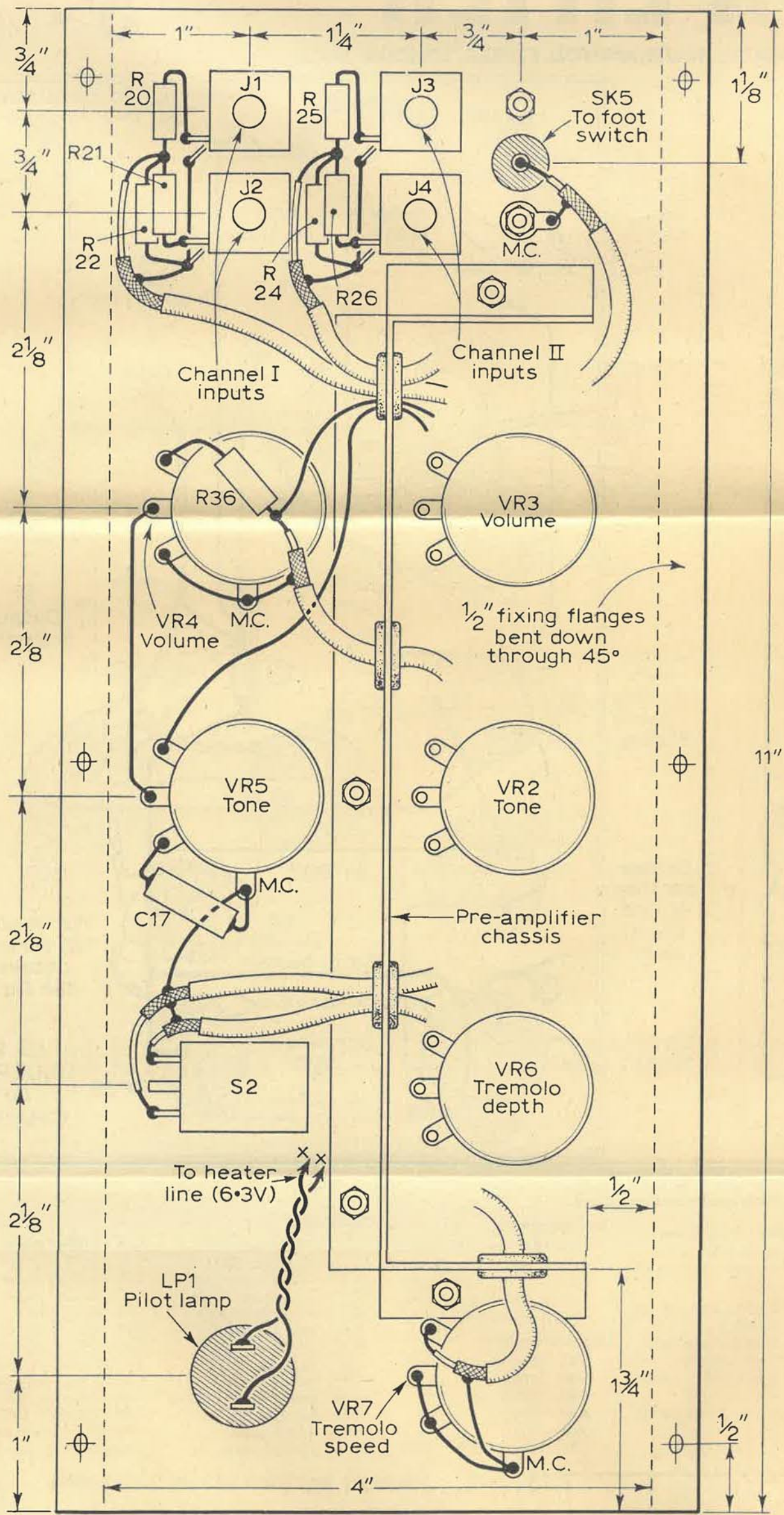
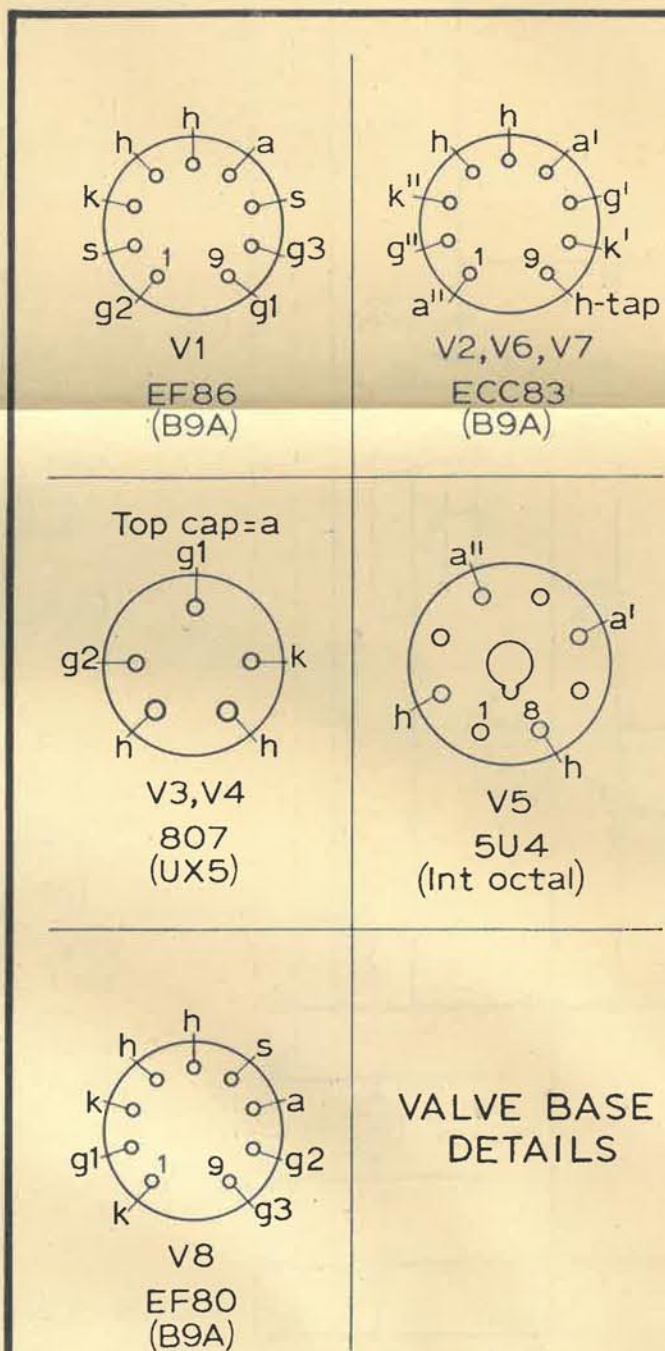
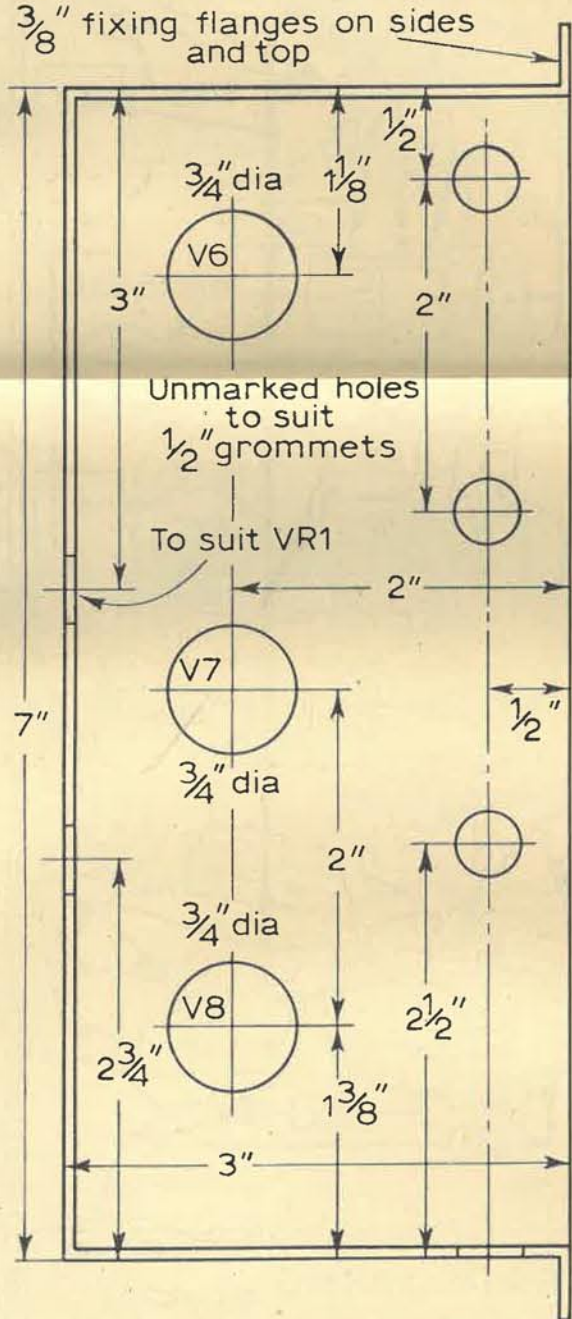


FIG. 6 CONTROL PANEL WIRING

FIG. 7 CHASSIS DRILLING



CABINET CONSTRUCTION

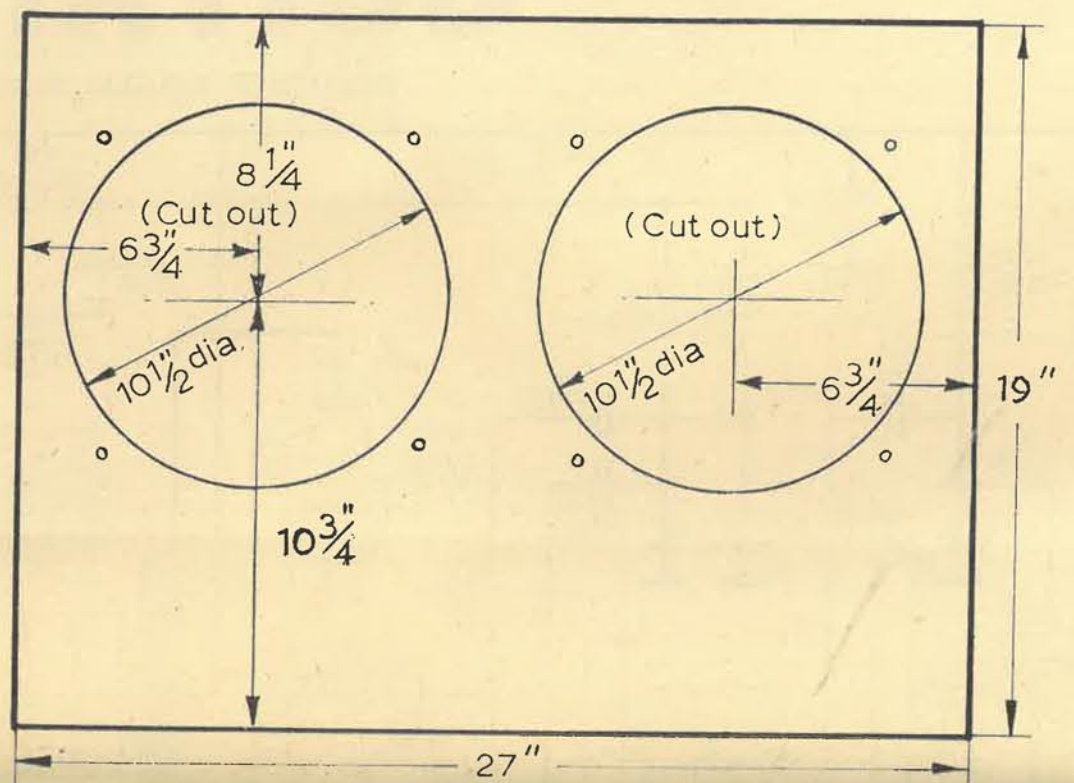


FIG. 8

FRONT CABINET PANEL SHOWING SPEAKER CUT-OUTS

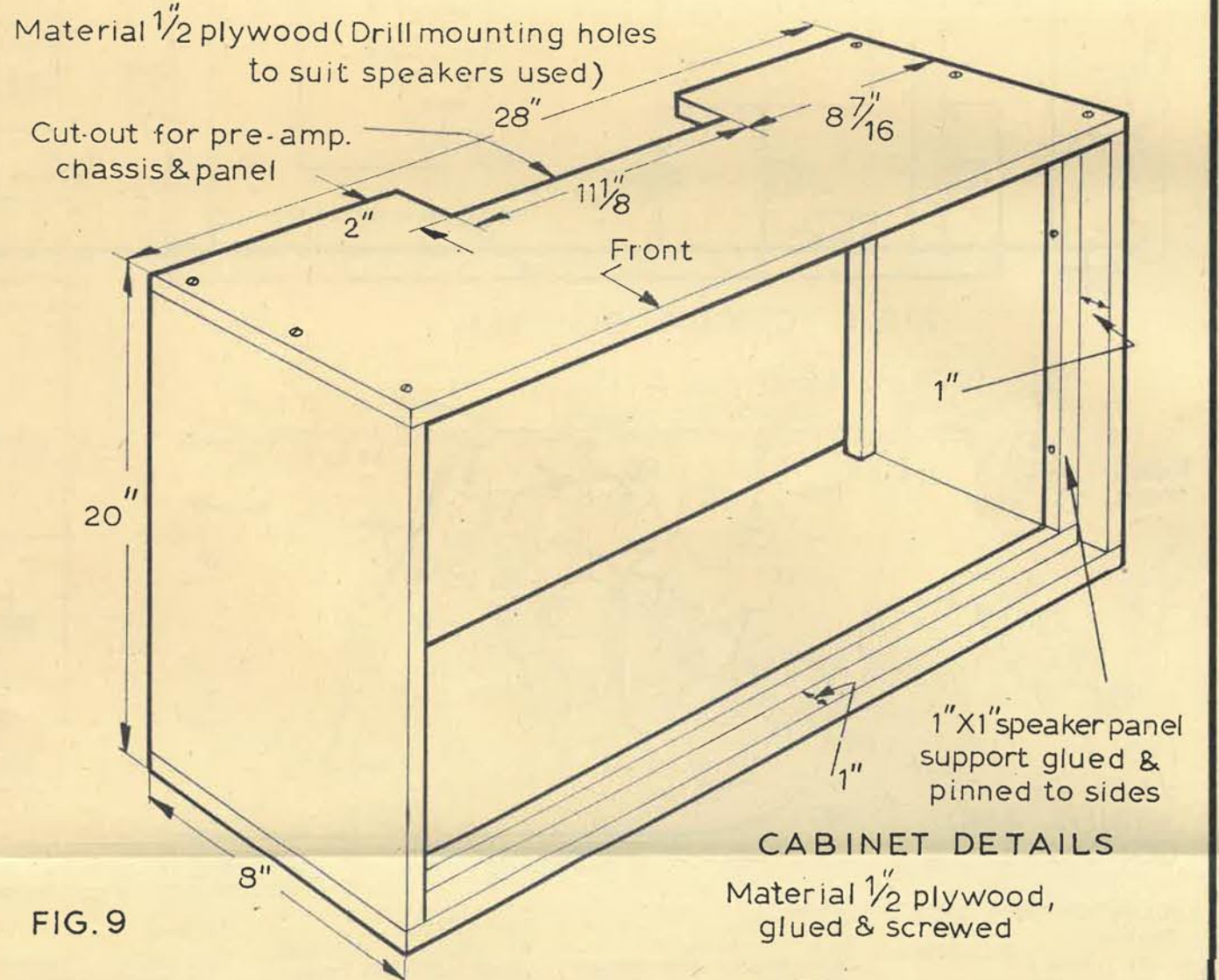


FIG. 9

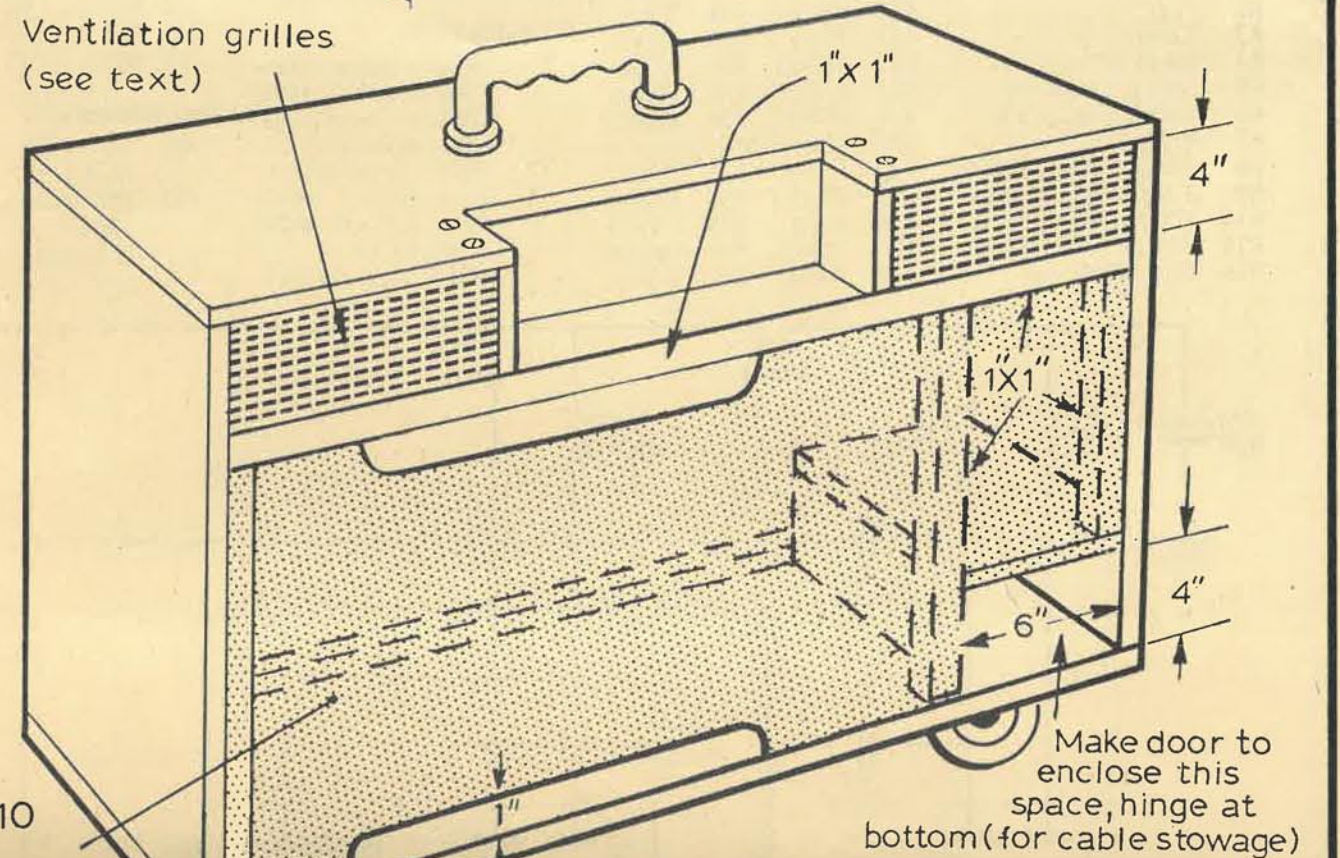


FIG. 10

CABINET REAR

Mount rear 1"x1" runners so as to allow depth of hardboard back to fit flush
Do not forget bottom vent, on hardboard back

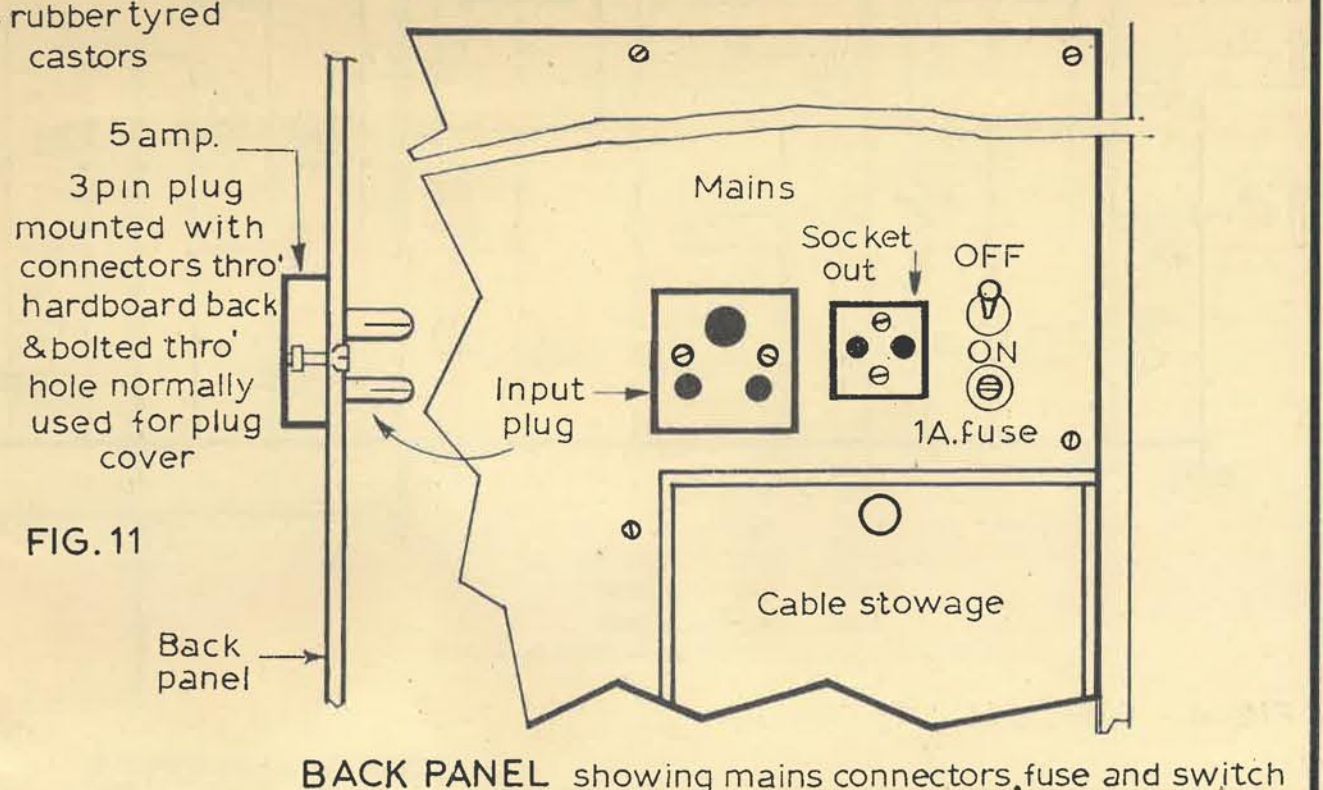


FIG. 11

BACK PANEL showing mains connectors, fuse and switch