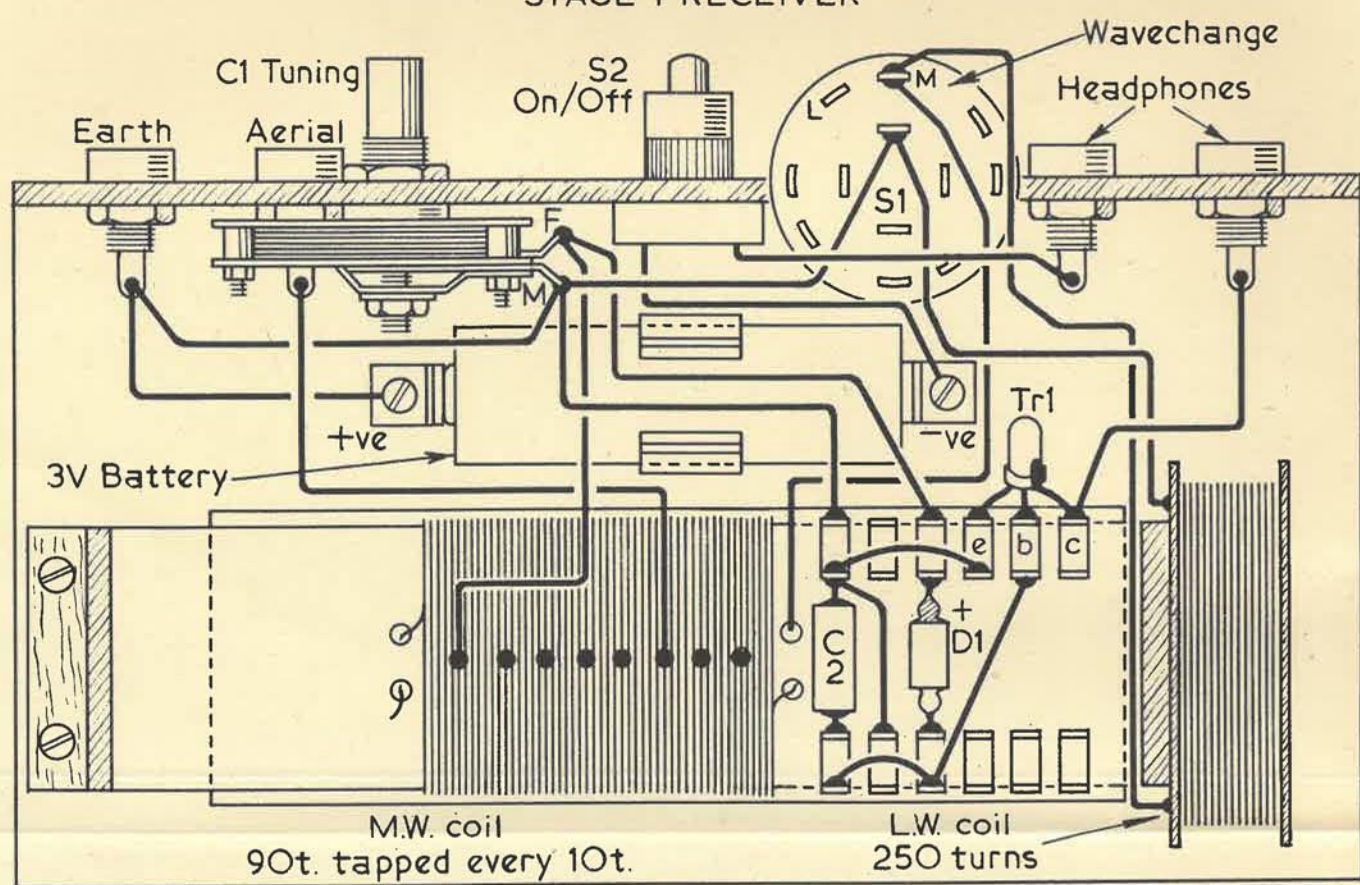
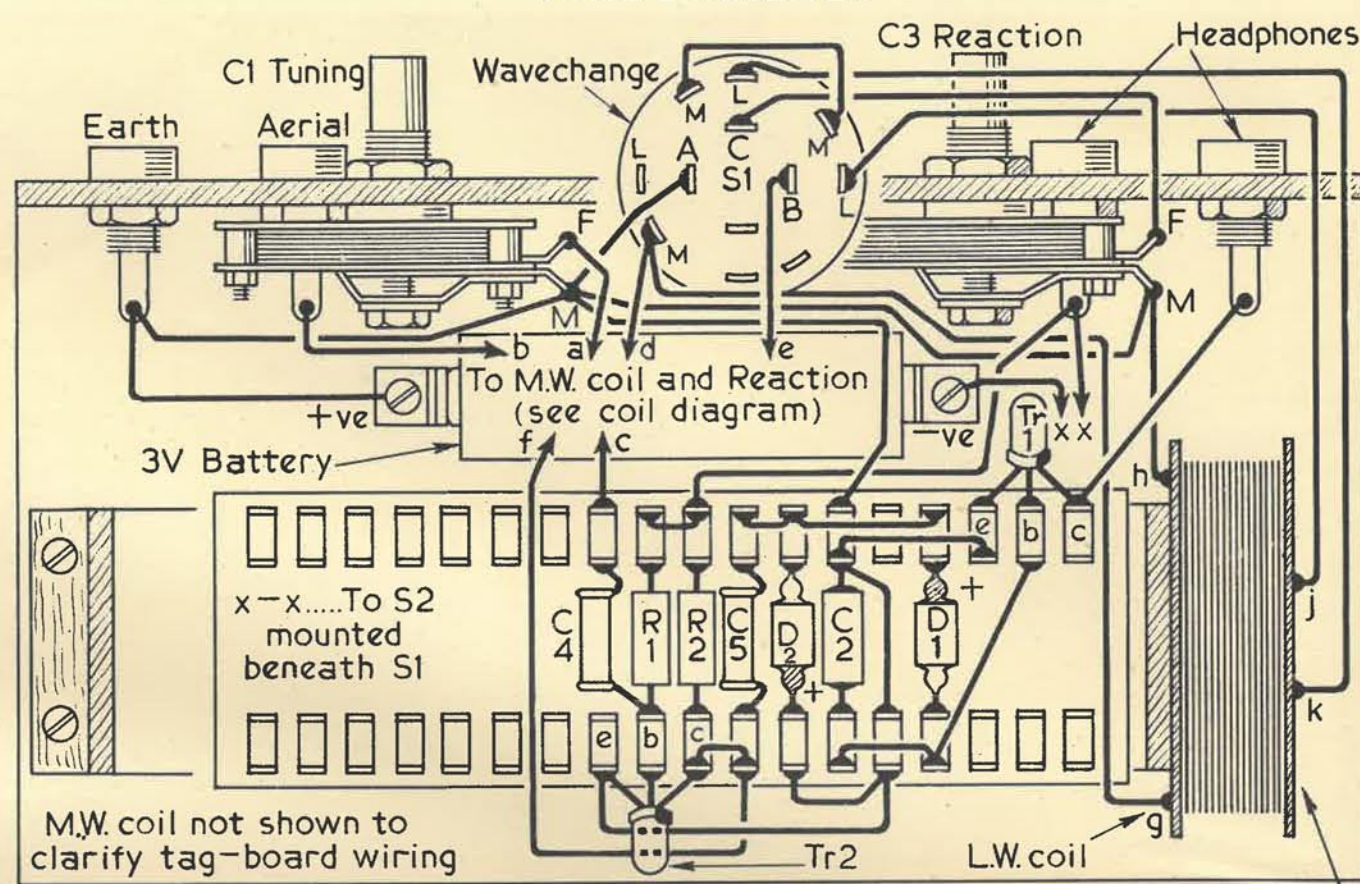


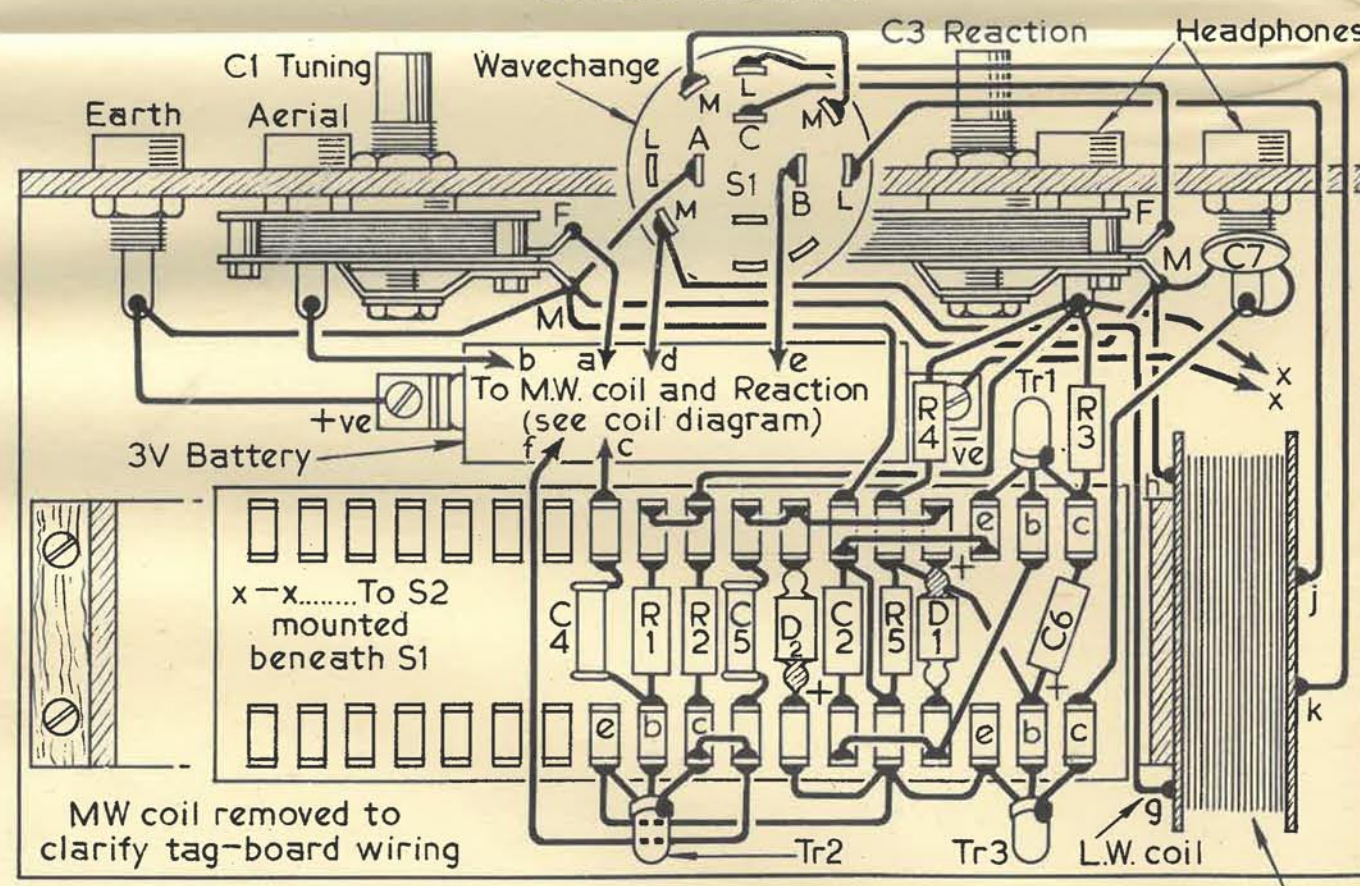
STAGE 1 RECEIVER



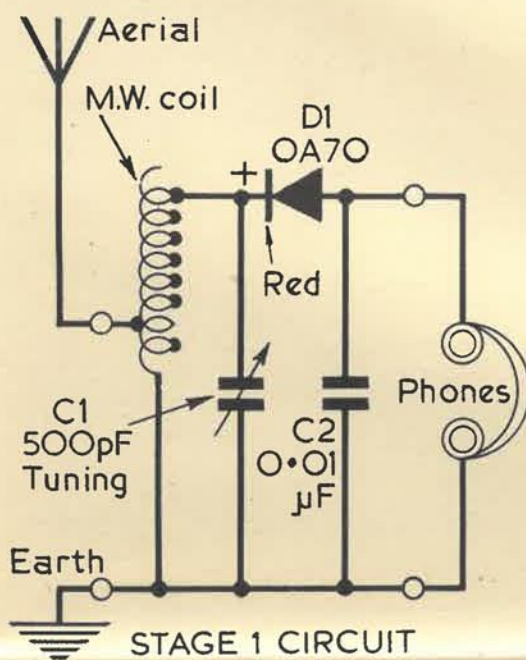
STAGE 2 RECEIVER



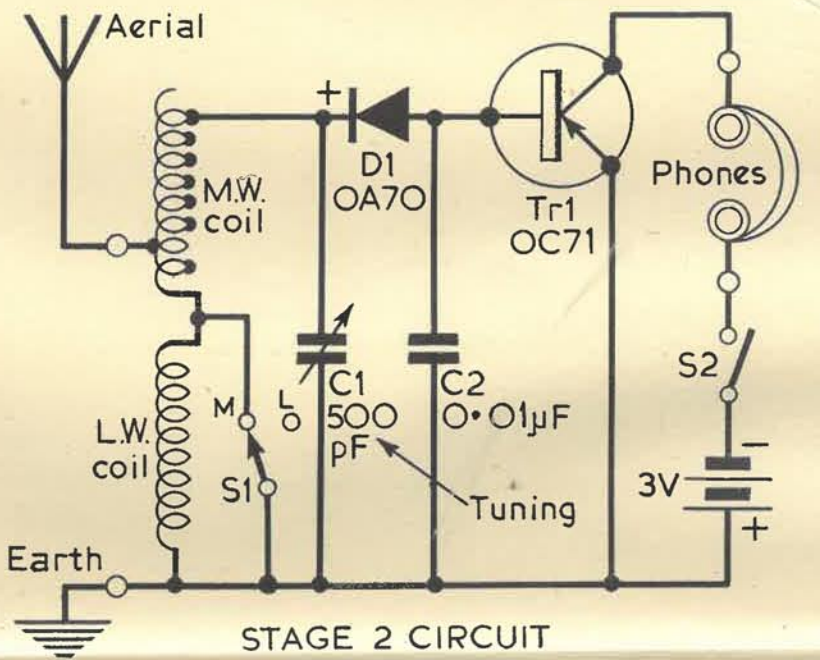
STAGE 3 RECEIVER



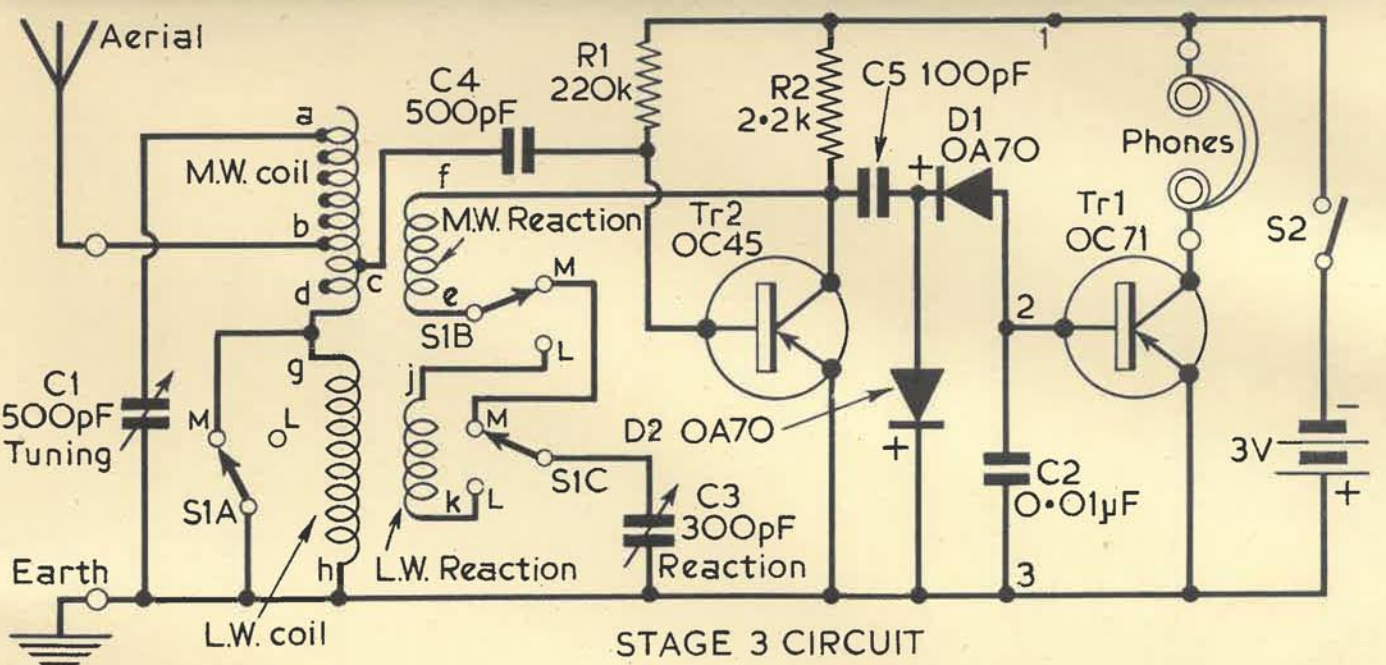
STAGE 4 RECEIVER



STAGE 1 CIRCUIT



STAGE 2 CIRCUIT



STAGE 3 CIRCUIT

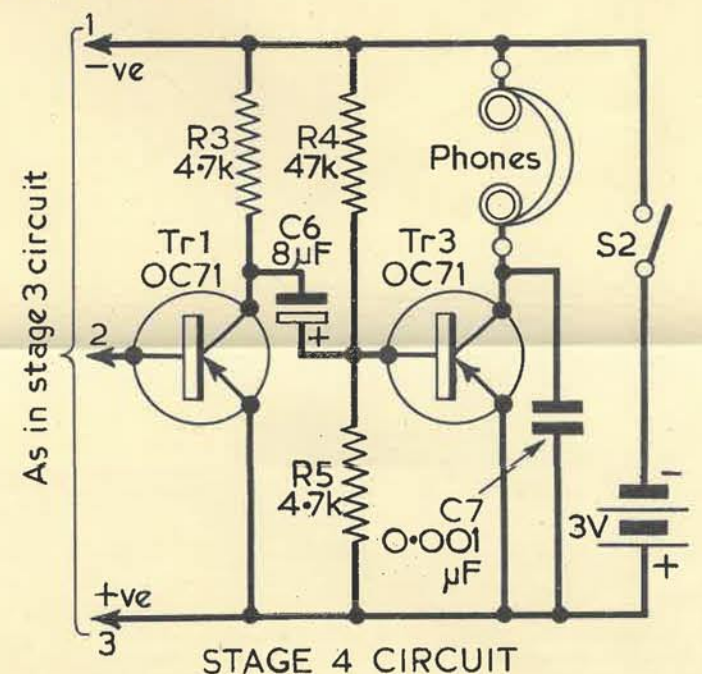
LIST OF PARTS

- For Stage 1  
Cardboard coil former, about 1 1/2 in. in diam. x 5 1/2 in. in length  
2 oz. of 34s.wg. copper wire (DCC)  
Hardboard panel 7 in. x 5 1/4 in.  
Baseboard 7 in. x 3 5/8 in. x 1/2 in.  
High impedance headphones  
4 wanderplugs and 4 sockets to match (Radiospares)  
Crystal diode (Mullard OA70)  
500pF tuning capacitor (Dilecon-Jackson Bros.)  
0.01µF capacitor (miniature type)  
12-way or 18-way tag-board (Radiospares)  
Connecting wire, solder, Balsa cement etc.

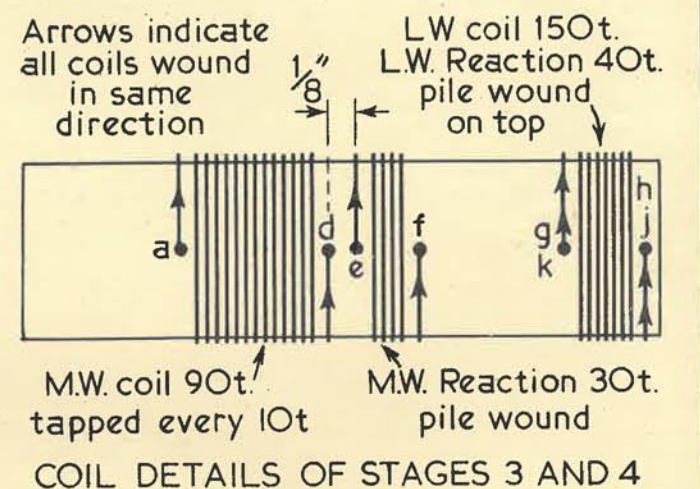
- Additional parts for Stage 2  
OC71 transistor (Mullard)  
4-pole, 2-way rotary switch (Radiospares)  
Push-button on off switch  
3V battery (Ever-Ready No. 8)  
3 tool clips to hold battery (Terry's)  
2 oz. of 36s.wg. copper wire (DCC)

- Additional parts for Stage 3  
300pF reaction capacitor (Dilecon-Jackson Bros.)  
OC45 transistor (Mullard)  
500pF and 100pF capacitors (ceramic or mica)  
220k and 2.2k resistors (1/4W or 1/2W)  
Crystal diode (Mullard OA70)

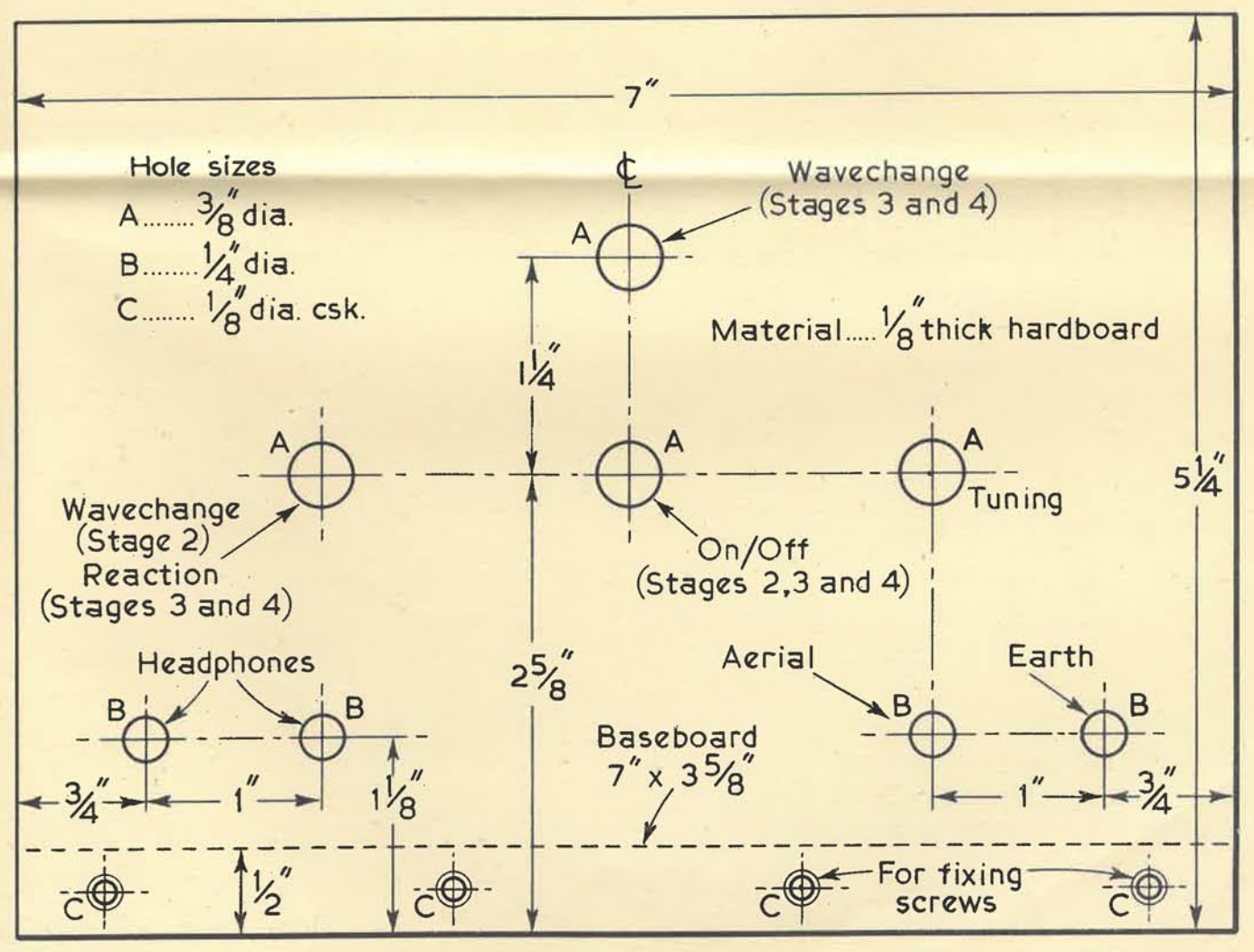
- Additional parts for Stage 4  
OC71 transistor (Mullard)  
8µF 6VW electrolytic capacitor (miniature type)  
47k and two 4.7k resistors  
0.001µF capacitor (ceramic)



STAGE 4 CIRCUIT



COIL DETAILS OF STAGES 3 AND 4



PANEL DRILLING VIEWED FROM FRONT