

# AA129

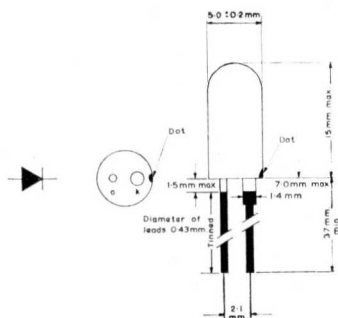
## JUNCTION DIODE

Germanium junction diode intended for use as a bias voltage stabiliser in portable radio receivers using class 'B' output stages.

8947

### DIMENSIONS

Max. body length	.. ..	15 mm
Max. diameter	.. ..	5.2 mm
Min. lead length	.. ..	37 mm



### CHARACTERISTICS ( $T_{amb} = 25^{\circ}\text{C}$ )

$V_F$ ( $I_F = 5\text{mA}$ )	.. ..	175 to 230 mV
Temperature Coefficient ( $I_F = 5\text{mA approx.}$ )	.. ..	-2.3 mV/ $^{\circ}\text{C}$

### ABSOLUTE MAXIMUM RATINGS

$I_{FM}$ max.	.. ..	20 mA
$T_{stg}$ max.	.. ..	+75 $^{\circ}\text{C}$
$T_{stg}$ min.	.. ..	-55 $^{\circ}\text{C}$
$T_{amb}$ max (continuous operation)	.. ..	75 $^{\circ}\text{C}$
$\theta_{j-amb}$ (free air)	.. ..	0.4 $^{\circ}\text{C}/\text{mW}$

Figs. 1, 2 and 3 show typical circuit configurations in which the diode may be used. Using the circuit shown on fig. 1, the bias voltage of the output transistors should be set allowing for a.g.c. operation.

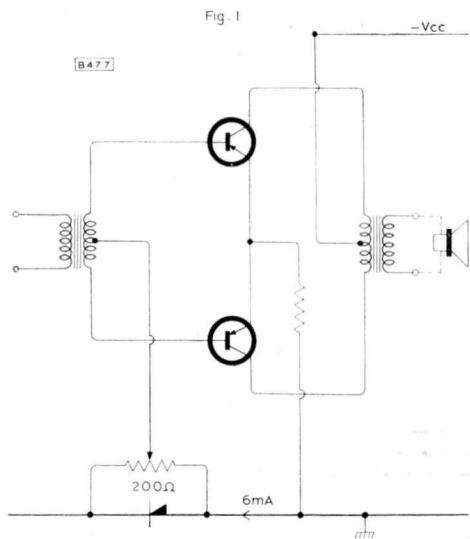


Fig. 2

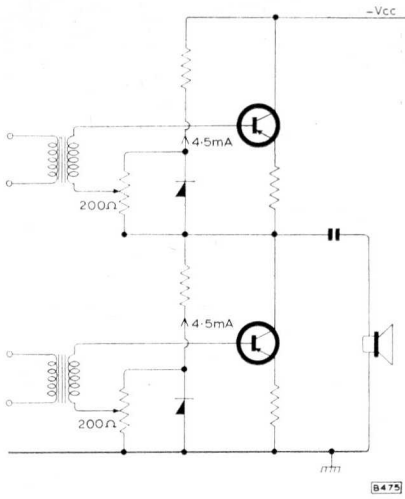
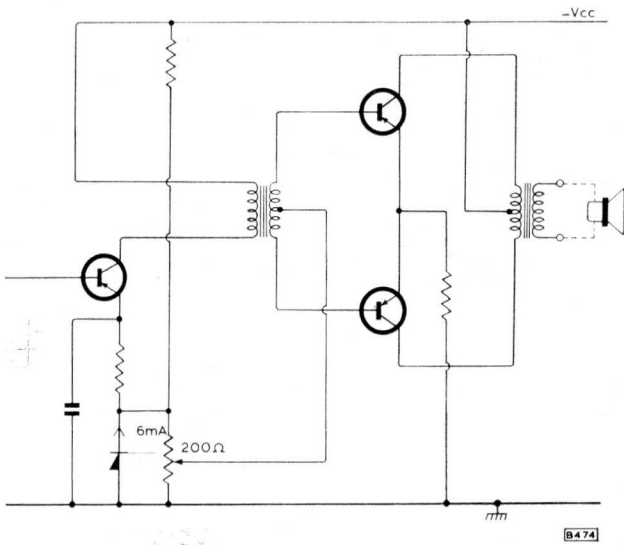
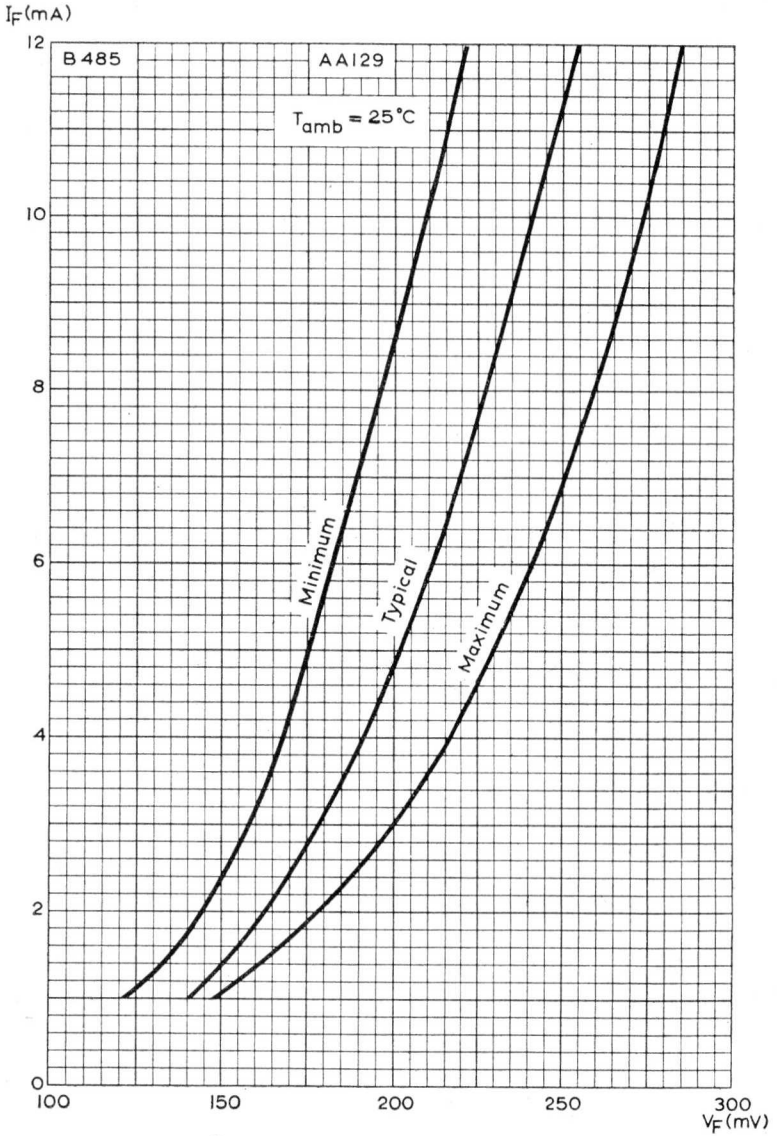


Fig. 3





SPREAD OF FORWARD CHARACTERISTIC AT AMBIENT TEMPERATURE OF  $25^\circ\text{C}$