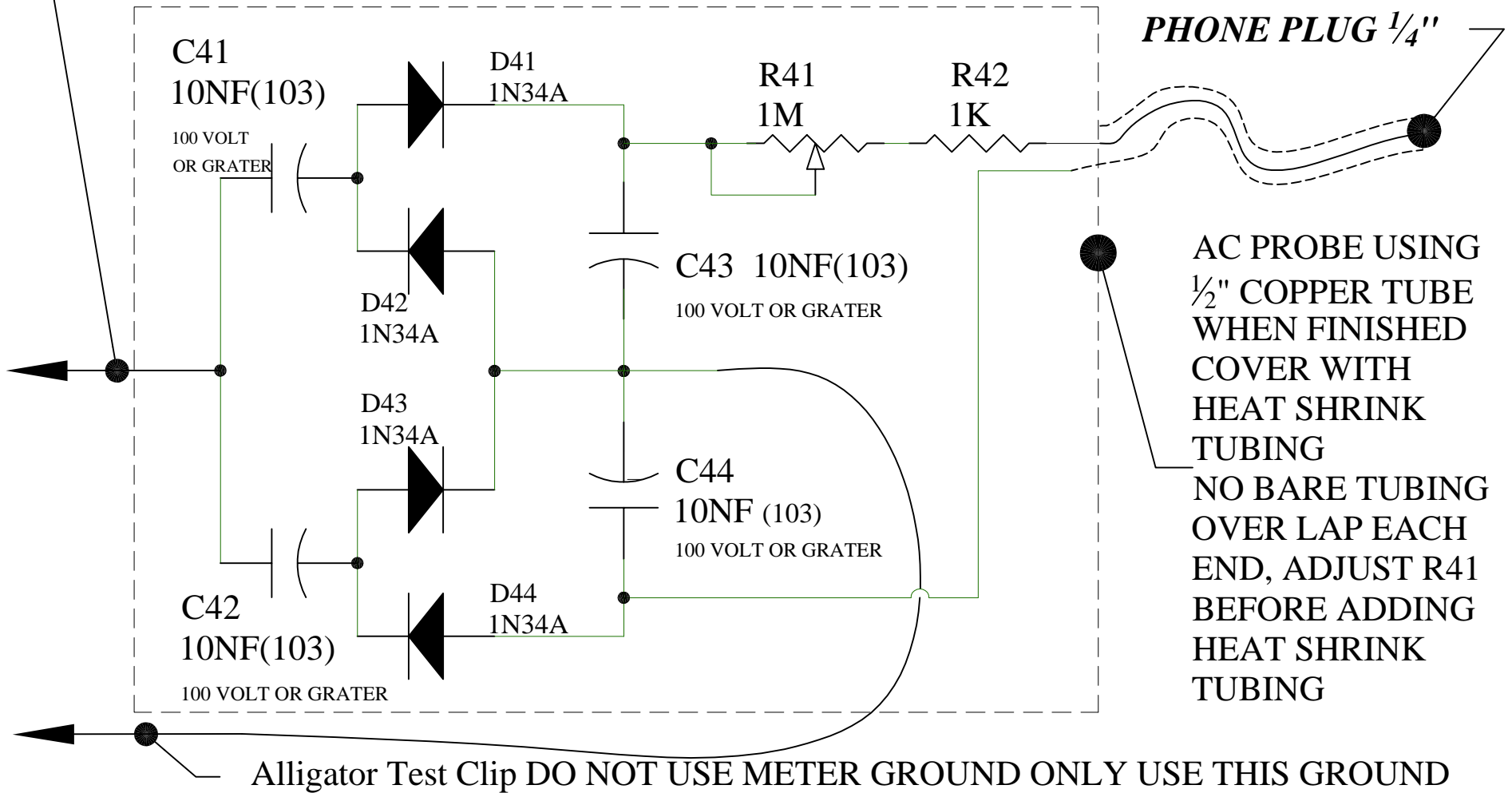


QUADRUPLE PROBE

AF/RF PROBE

20 HZ TO 50 MHZ

TIP MADE FROM
BRASS WELDING
 $\frac{1}{8}$ " TO $\frac{3}{16}$ " ROD



ADJUST 41 & INCREASE R42 FOR TO MATCH DIAL SCALE VOLTAGE. YOU MAY WANT TO ADD
A DIFFERENT SCALE TO METER THIS APX 5.66 RATIO OR INPUT 1 VOLT AND OUTPUT 5.66
VOLTS