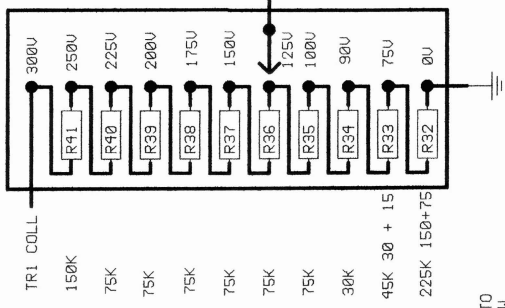
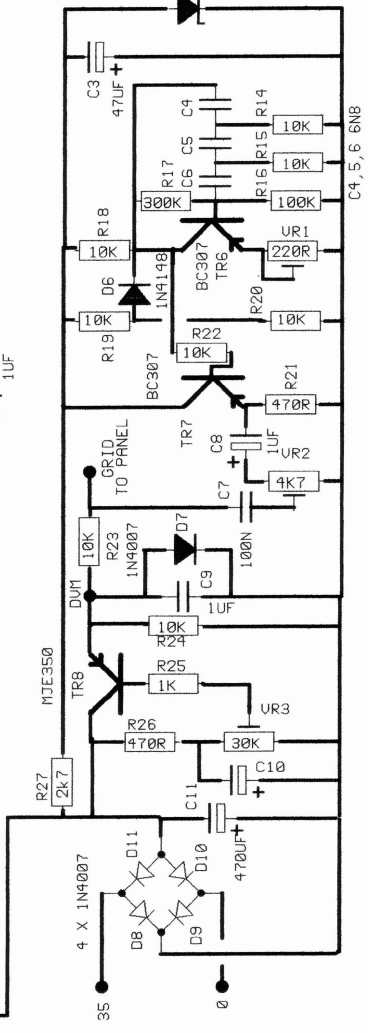


VOLTAGE
SELECTOR SWITCH



SUSSEX UT1
MIKE ROWE 2009 ©



* ADD DIODE D1

RELAY

TEST ANODE S/C GRID2 S/C HTR

RL1, RL2 48V DFCO

EXT SOCKETS

0V 4 5 6 12

"EDs TRANSFORMER"
ADD 2P 5W SWITCH
PARALLEL POLES
FOR EXTRA CURRENT CAPACITY

FOR ADDITIONAL HEATER VOLTAGES
CONNECT A PAIR OF SOCKETS
TO 0V AND EXT POSITION