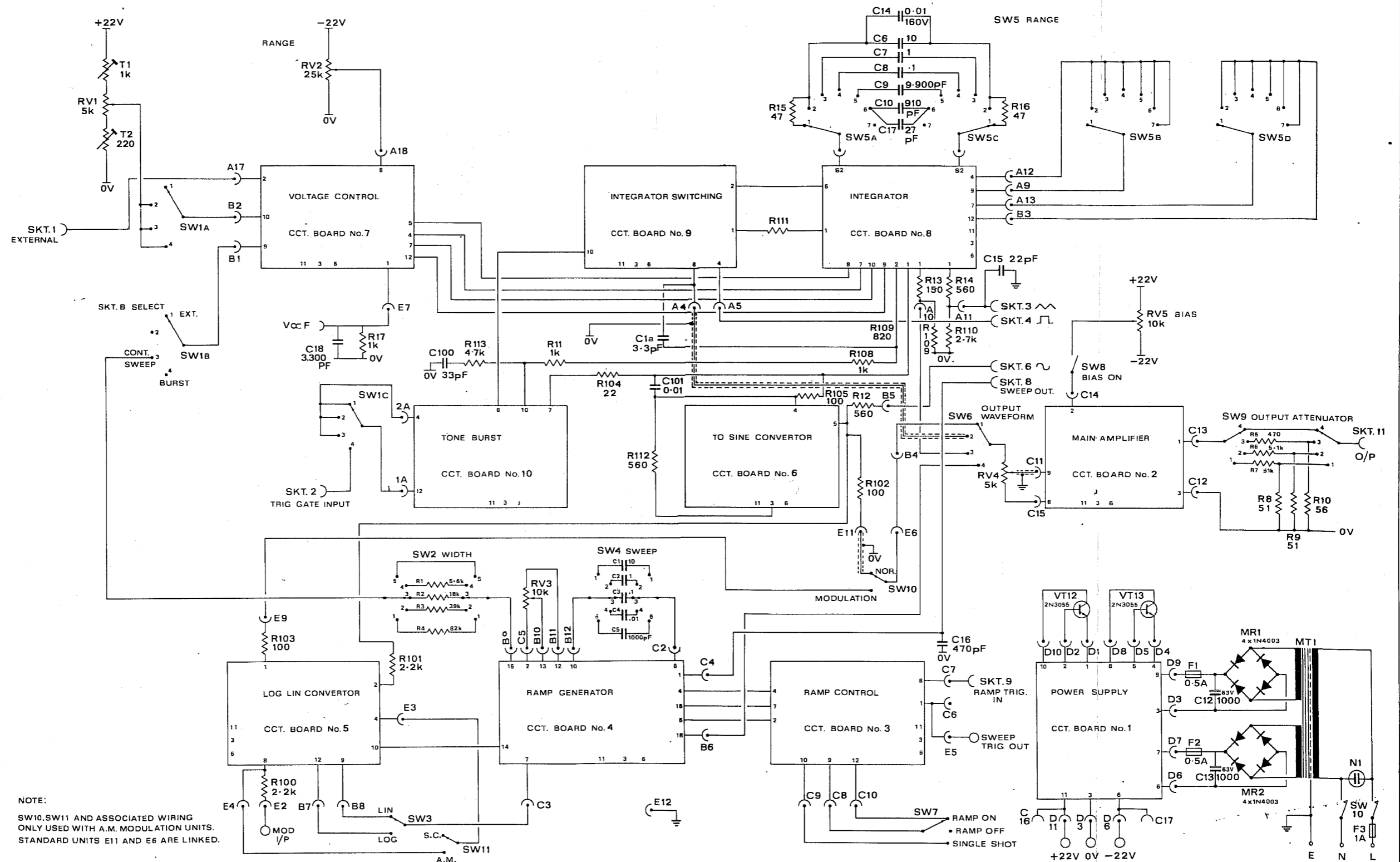


DRAWING No.
1 ZV 0689 065



NOTE:
SW10, SW11 AND ASSOCIATED WIRING
ONLY USED WITH A.M. MODULATION UNITS.
STANDARD UNITS E11 AND E6 ARE LINKED.

TRACED	U	29.4.77	Q 4203	V	14.9.77	Q 4170
	T	29.9.76	Q 3947	W	20.9.77	Q 4580
CHKD	S	4.6.75		X	26.5.78	Q 4462
	R	3.12.74	Q 3258	Y	23.10.75	Q 5216
DRAWN	ISSUE	DATE	MOD. No.			
D.W.O.J.	Q	14.8.74	Q 3121			

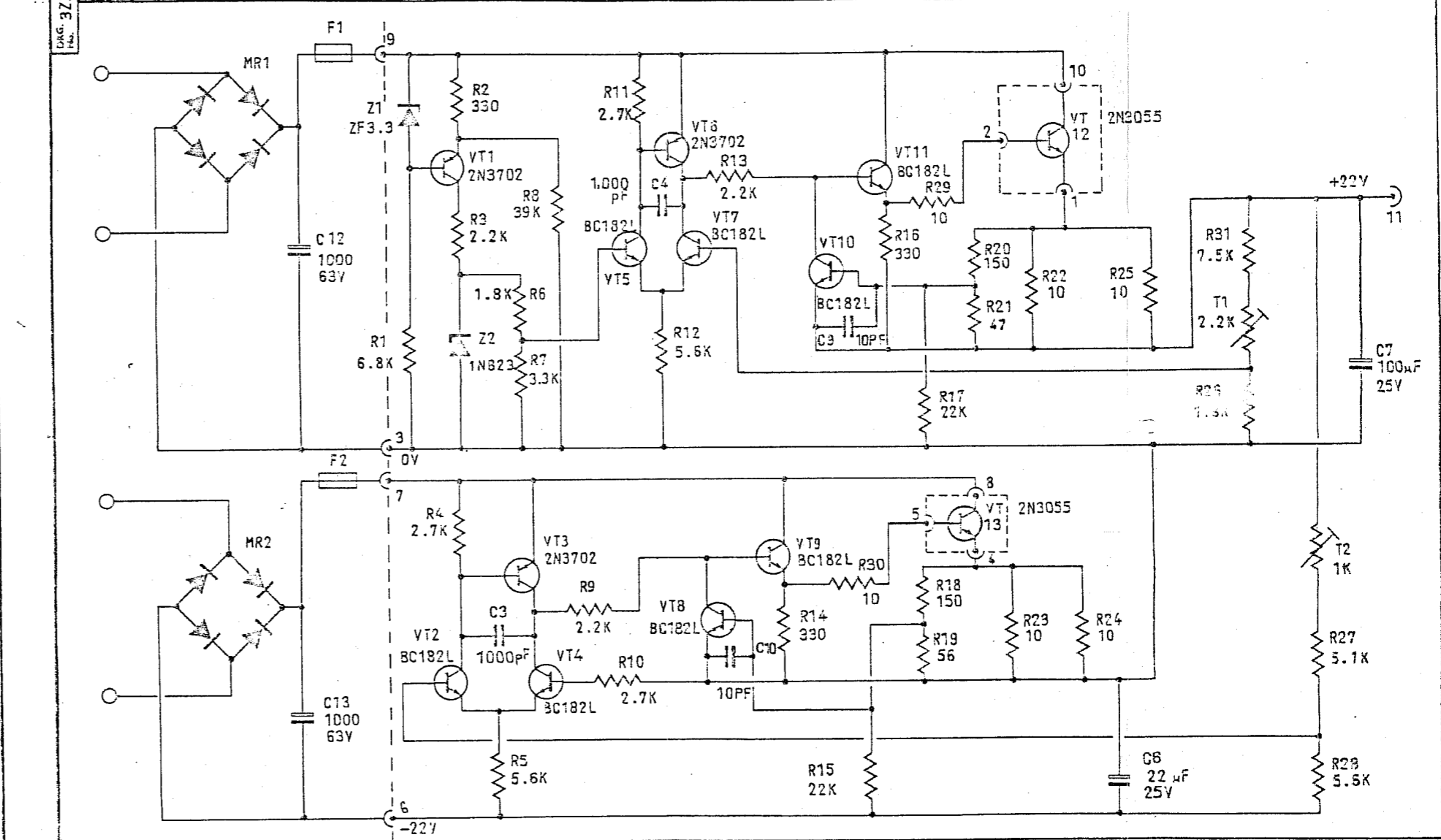
NOTE:- ALL CAPACITORS IN MICROFARADS UNLESS OTHERWISE STATED
ALL RESISTORS IN OHMS UNLESS OTHERWISE STATED
PIN 3 = 0V
PIN 6 = -22V ON ALL CCT. BOARDS
PIN 11 = +22V

FARNELL INSTRUMENTS LTD., WETHERBY, YORKS.

TITLE:-
WIRING DIAGRAM
FUNCTION GENERATOR

DRAWING No.
1 ZV 0689 065
FG1
SHEET 1 OF 1 SHEETS

USED ON	R	1	2,3,4,5,6,7,8,9,10,11,	12	13	14,29,15,30	16	17,18,19,20,21,22,23,24,25,	31	26,27,28,	R
	C	1 2	3	4	10	9	6				C
	VT		1 2 3 4	5	8 6 7 9	10,11	13	12			VT
	MISC	MR1,2	Z1 Z2						T1	T2	MISC

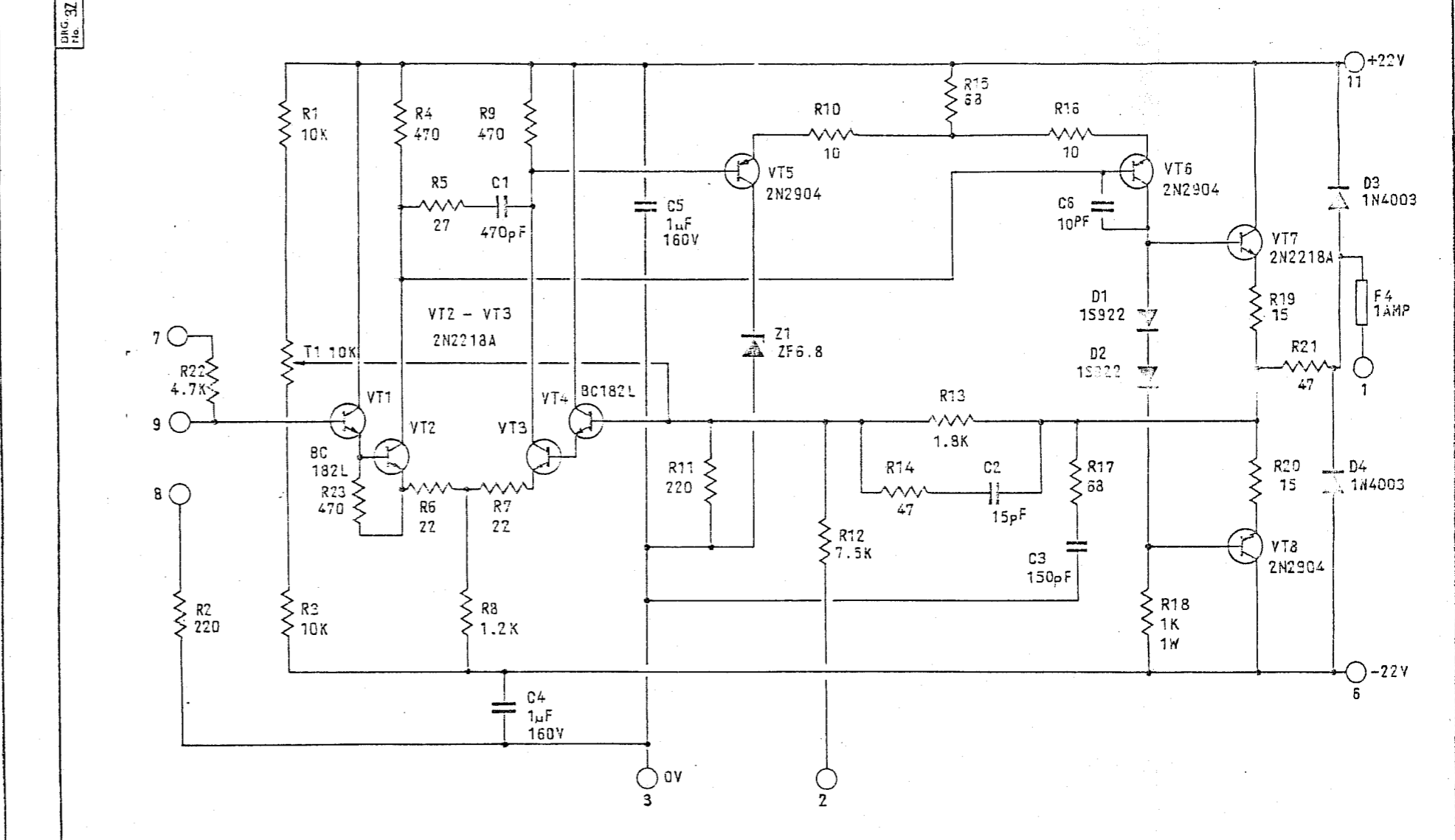


TRACED		D	13.9.73	Q1550					
CHECKED		C	12.8.73	Q2564					
		B	15.10.72	Q1733					
DRAWN	M.H.	ISS. DATE	MOD. No.						
		A	11.2.72						

NOTE —
CAPACITOR VALUES GIVEN IN µF
RESISTOR VALUES IN Ω
② REFERS TO CCT. 3D,
PIN CONNECTION Nos

FARNELL INSTRUMENTS LTD. WETHERBY, YORKS.	
CIRCUIT DIAGRAM POWER SUPPLY FUNCTION GENERATOR.	DRAWING No.
	3 ZX 0689 053

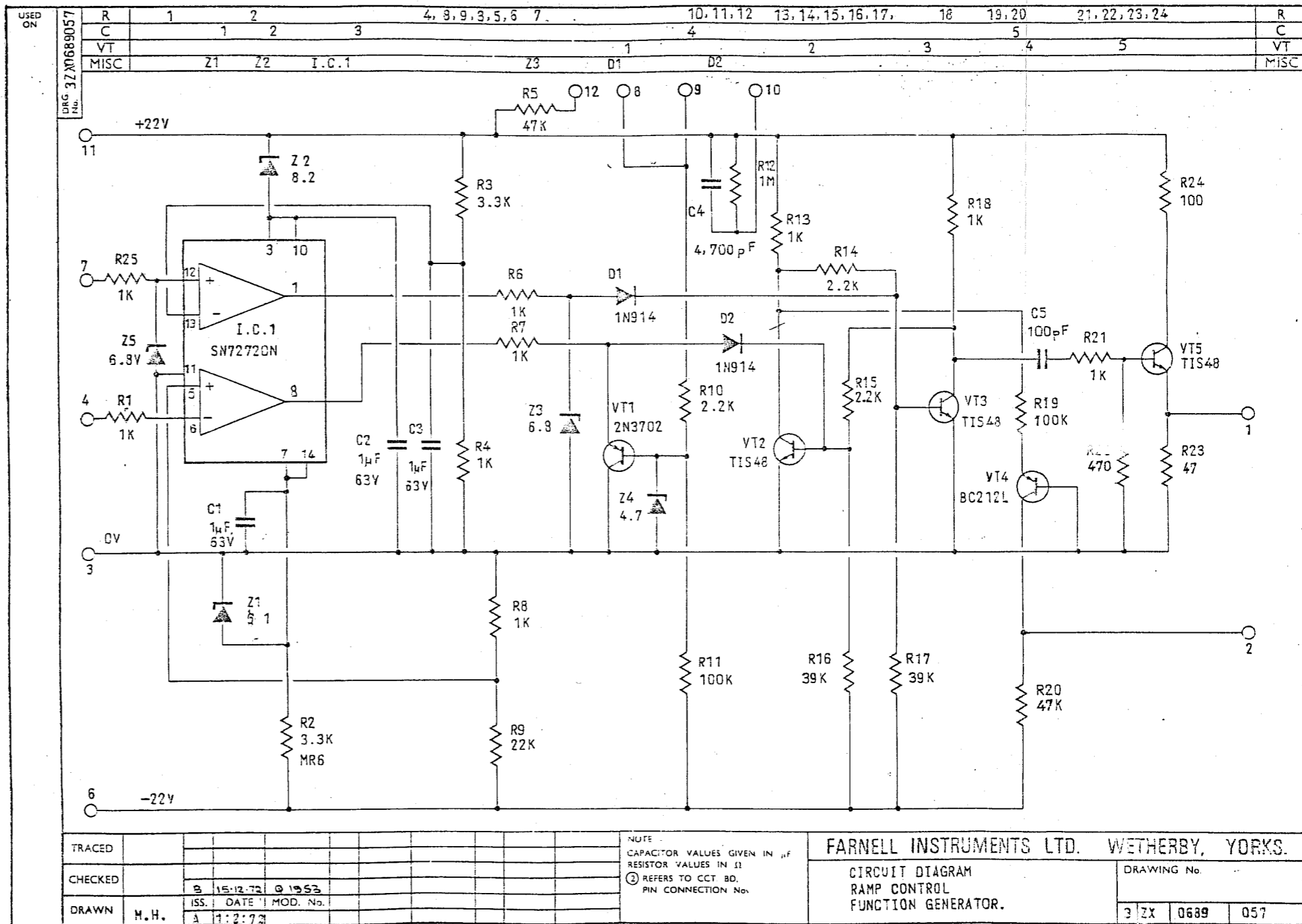
USED ON	R	2	1,3	4,5,6	8,7,9	11	12,10	14	13,15	16,17	18	19,20	R
	C				1,4	5			2	3,6			C
	VT		1	2		3,4	5			6	7,8		VT
	MISC		T1			Z1				D1, D2	D3, D4	F4	MISC

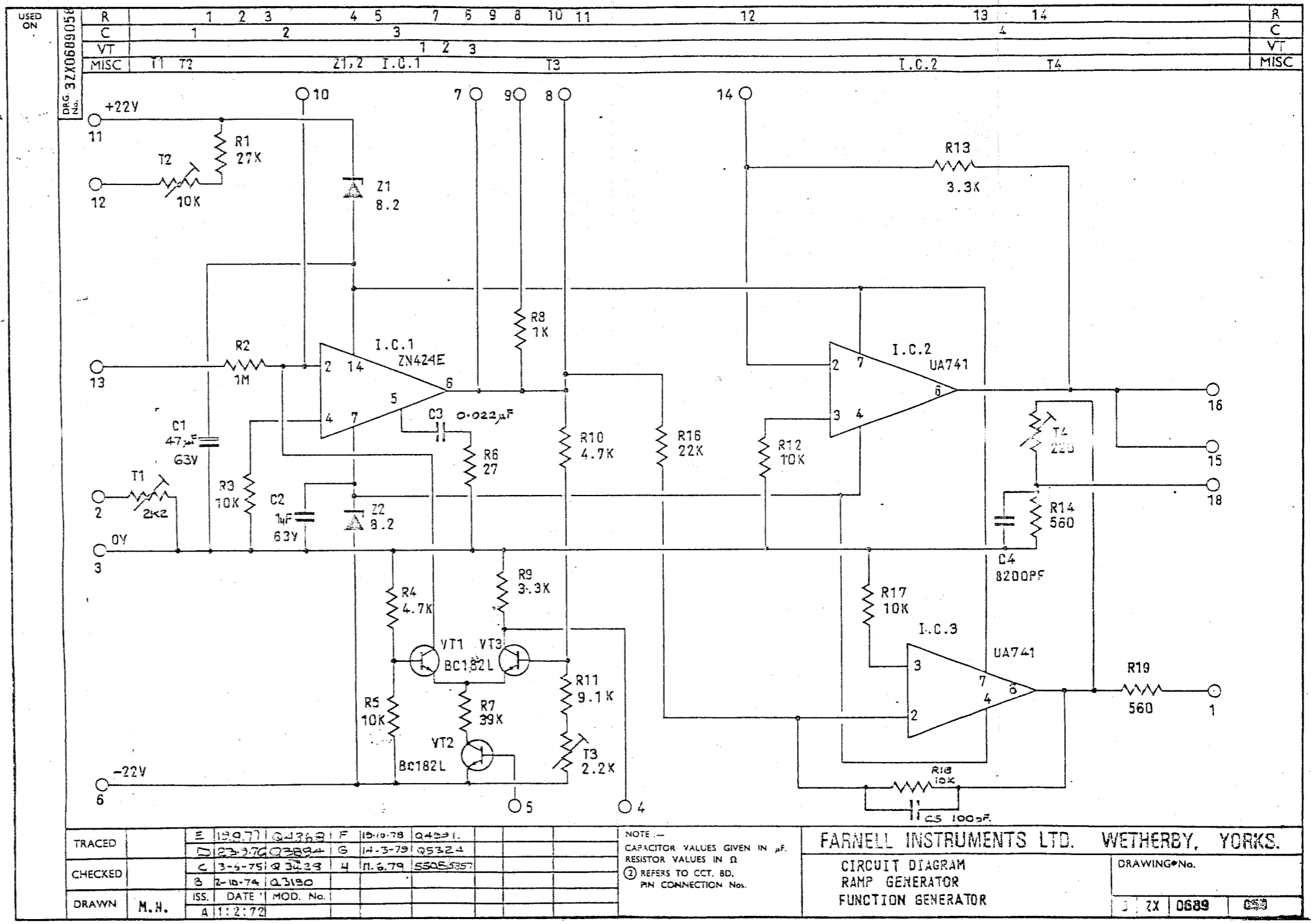


TRACED		E	24.2.73	JUD63	F	21.4.73	02223
		D	20.12.72	01391			02184
CHECKED		C	11.9.72	01673	G	20.12.73	02720
		B	20.4.72	01497	H	19.3.74	02302
DRAWN	D.W.	A	11.2.73	-			

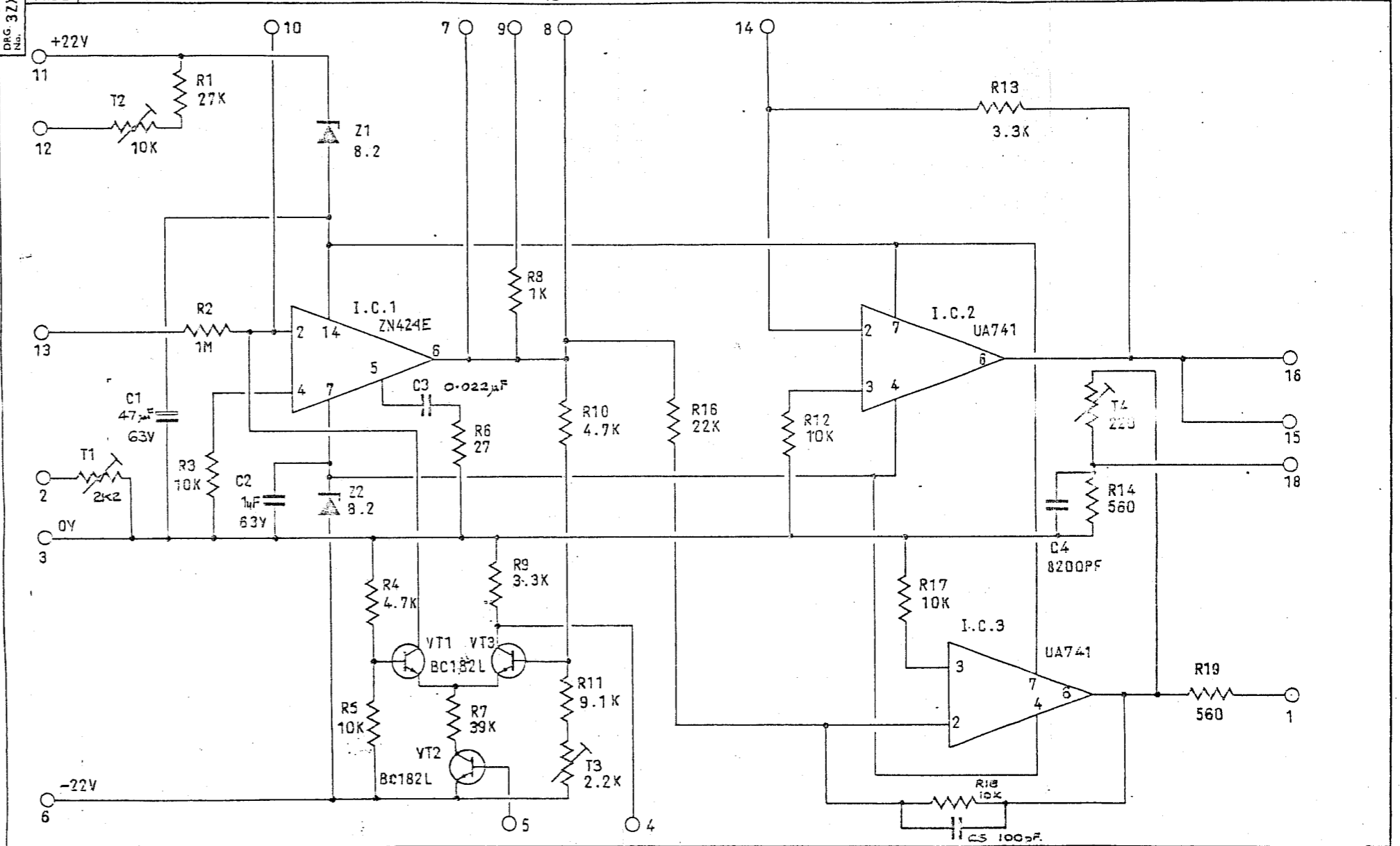
NOTE:
 CAPACITOR VALUES GIVEN IN μ F
 RESISTOR VALUES IN Ω
 ③ REFERS TO CCT. BD.
 PIN CONNECTION Nos.

FARNELL INSTRUMENTS LTD. WETHERBY, YORKS.
 FUNCTION GENERATOR
 CIRCUIT DIAGRAM
 MAIN AMPLIFIER
 DRAWING No. 3 0589 056





USED ON	R	1	2	3	4	5	7	8	9	10	11	12	13	14	R
	C	1	2	3			1	2	3				4		C
	VT						1	2	3						VT
	MISC	T1	T2		Z1, Z2	I.C.1				T3			I.C.2	T4	MISC



TRACED		E	19.07.71	Q1369	F	19.10.78	Q4291								
CHECKED		D	23.07.74	Q3884	G	14.3.79	Q5324								
		C	3.6.75	Q3023	H	11.6.79	55065357								
DRAWN	M.H.	B	2.10.74	Q3190											
		A	1.2.72												

NOTE -
CAPACITOR VALUES GIVEN IN μ F.
RESISTOR VALUES IN Ω .
② REFERS TO CCT. BD.
PIN CONNECTION Nos.

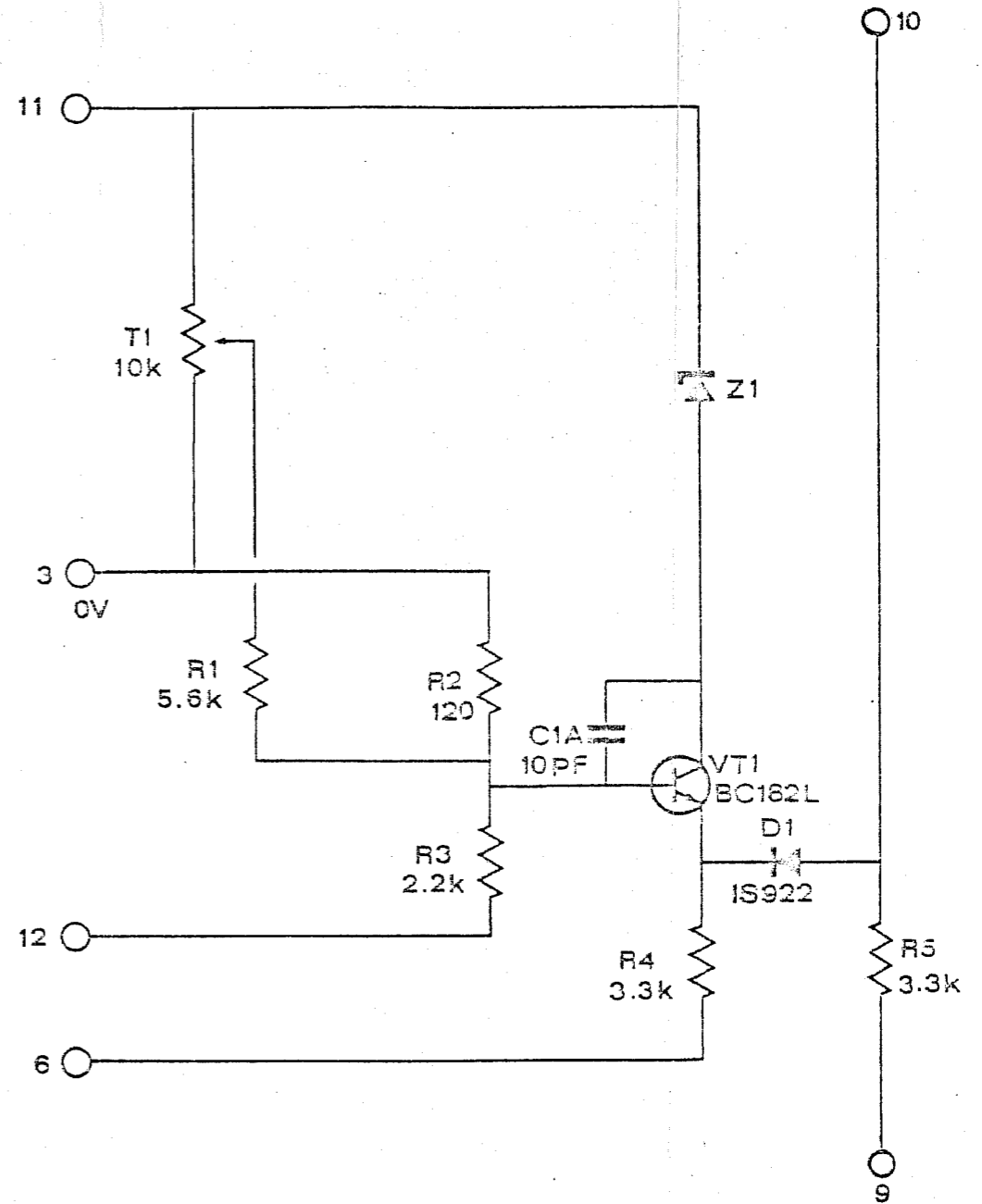
FARNELL INSTRUMENTS LTD. WETHERBY, YORKS.
CIRCUIT DIAGRAM
RAMP GENERATOR
FUNCTION GENERATOR
DRAWING No. 3 ZX 0689 059

DRAWING No.
4ZX 0689 059

USED ON

THIRD ANGLE PROJECTION
DO NOT SCALE

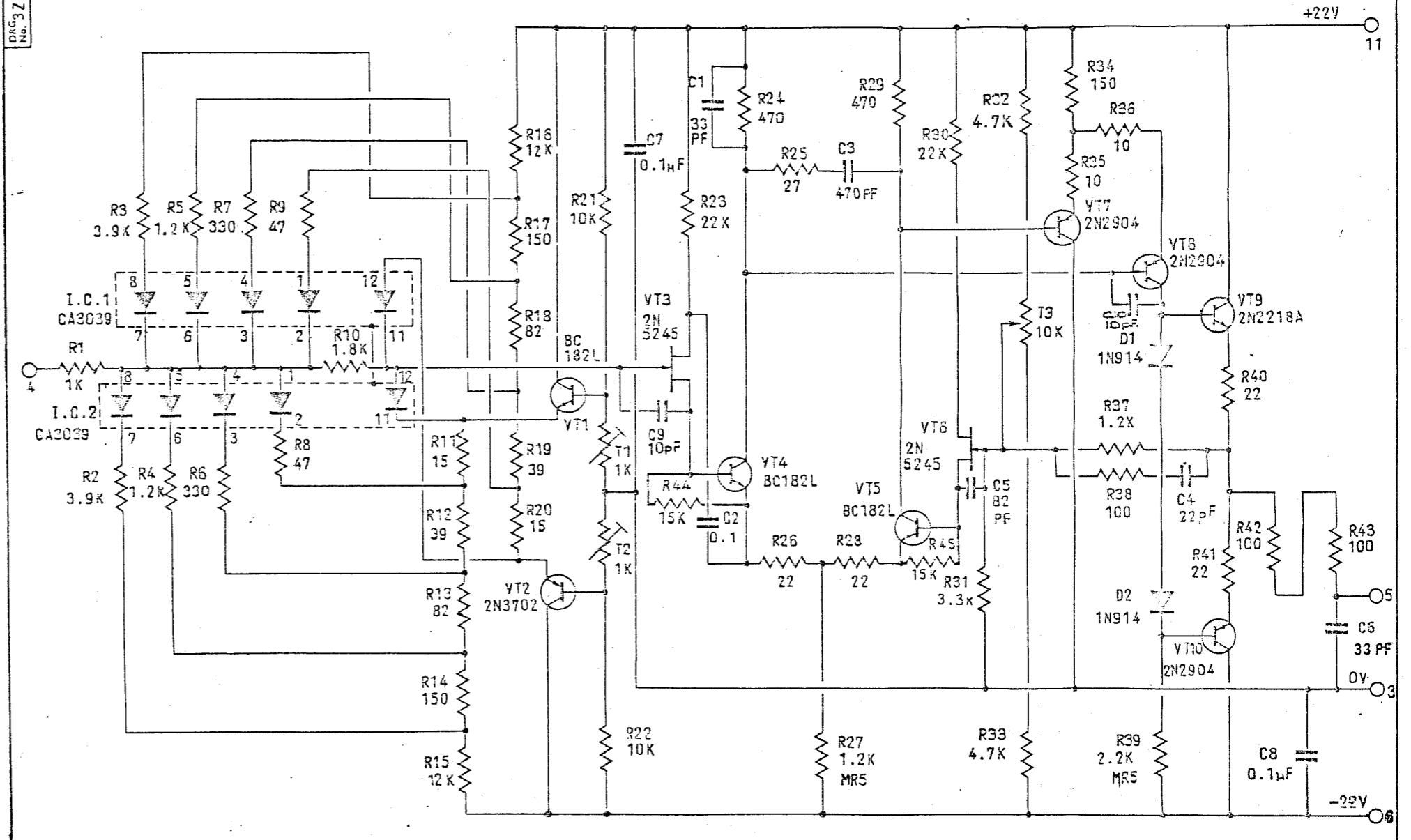
ALL ERRORS TO BE REPORTED TO DRAWING OFFICE
DRAWN IN ACCORDANCE WITH BS303



					PROTECTIVE FINISH	NOTE: REMOVE ALL BURRS AND SHARP EDGES
D	19:3:74	Q2862			MATERIAL	
ISS.	DATE	MOD. No.				
C	1:10:73	Q2550				

TRACED	TOLERANCES	FARNELL INSTRUMENTS LTD. WETHERBY, YORKS.	DRAWING No.
CHECKED	SCALE		4ZX 0689 059
DRAWN J.N.	DIMENSIONS IN M.M.		SHEET 1 OF 1 SHEETS
		TITLE: LOG LIN CONVERTER CIRCUIT DIAGRAM FUNCTION GENERATOR	

USED ON	R	1, 2, 3, 4, 5, 6, 7, 8, 9, 10	11, 12, 13, 14, 15, 16, 17, 18, 19, 20, 21, 22, 23, 24, 25, 26, 27, 28, 29, 30, 31, 32, 33, 34, 35, 36, 37, 38, 39, 40, 41, 42, 43	R
	C		7, 2, 1, 3, 5, 10, 4, 8, 6	C
	VT	2, 1	3, 4, 5, 6, 7, 8, 9, 10	VT
	MISC	I.C.1 I.C.2	T1 T2 T3 D1 D2	MISC



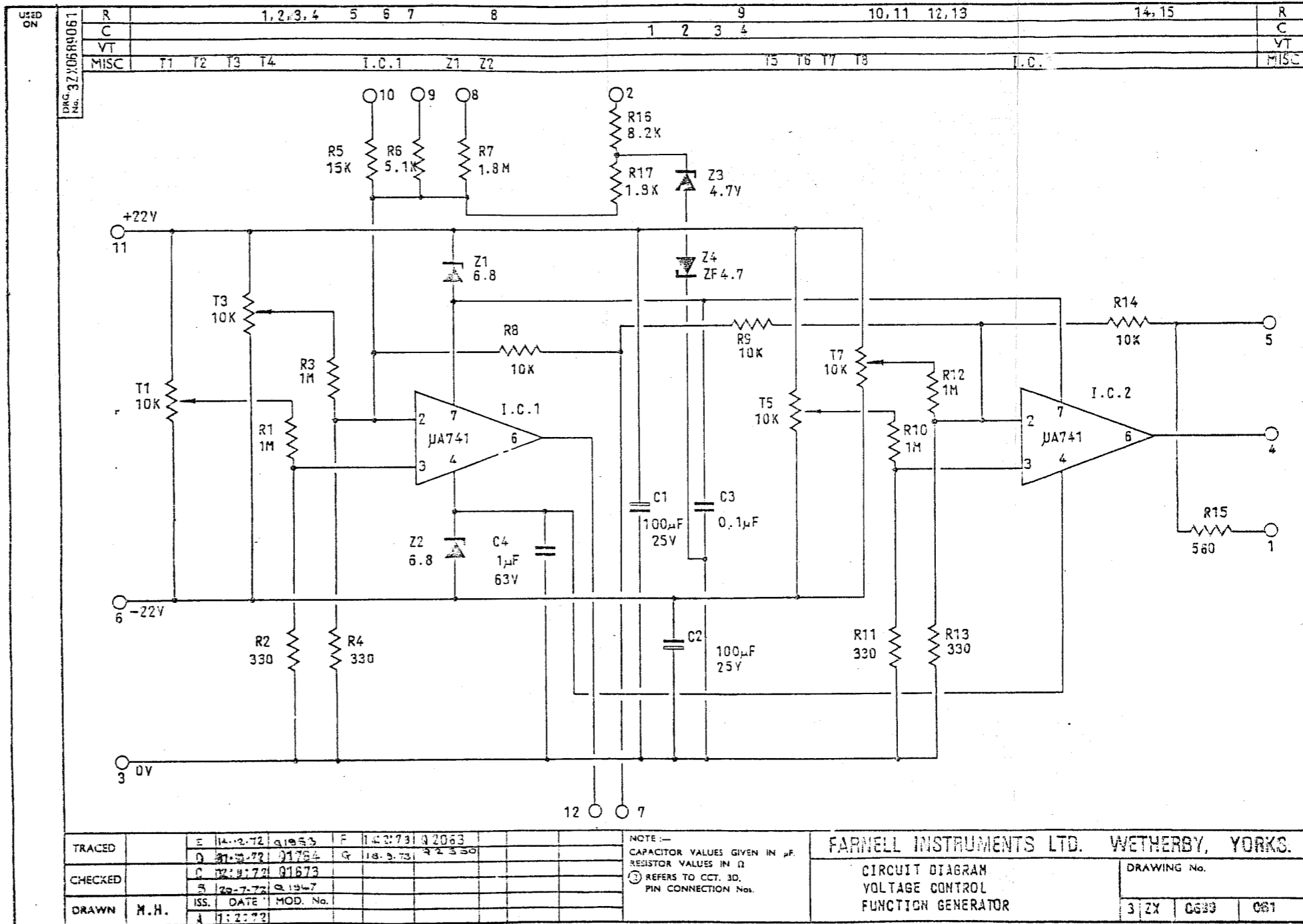
TRACED		2	20.12.72	Q2712	F	10.3.74	22862
		D	12.2.73	Q2550	G	22.4.74	22925
CHECKED		C	14.2.73	Q2063	H	3.5.74	22945
		B	11.3.72	Q1873	J	16.7.74	23065
DRAWN	M.H.	A	11.2.72		K	20.4.74	2505

NOTE: —
CAPACITOR VALUES GIVEN IN μ F.
RESISTOR VALUES IN Ω
② REFERS TO CCT. 3D.
PIN CONNECTION Nos.

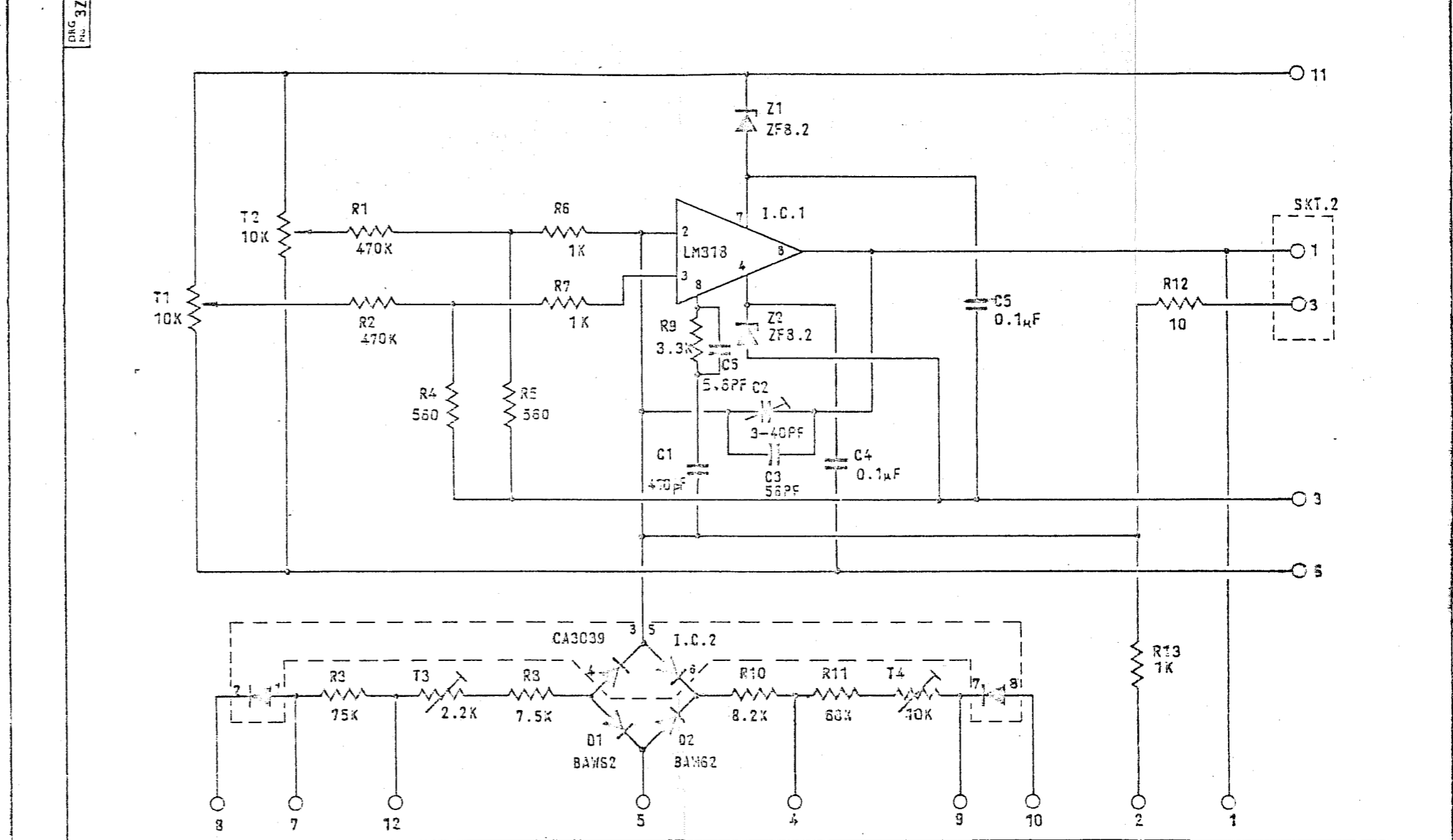
FARNELL INSTRUMENTS LTD. WETHERBY, YORKS.

CIRCUIT DIAGRAM
▷ TO SINE CONVERTOR
FUNCTION GENERATOR.

DRAWING No. 3 0689 060



USED ON	R	1 3 2 4 5 6 8 7	9 10 11	12, 13	R
	C		1 2 3 4	5	C
	VT				VT
	MISC	T1, 2, D1	T3	I.C. 2 Z2 Z1 I.C. 1	T4 D2

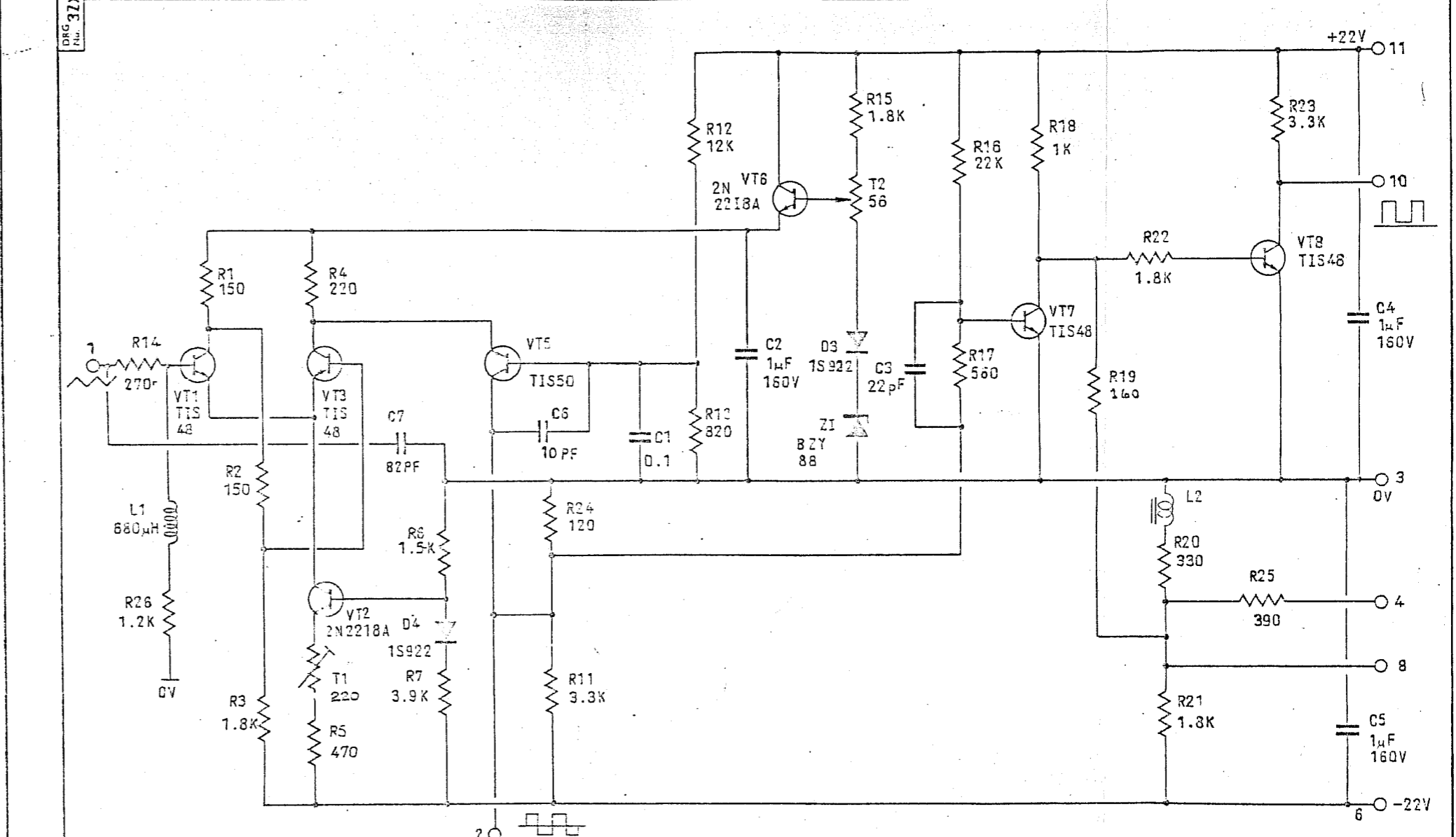


TRACED		10-3-73	10-3-73	10-3-73	10-3-73
CHECKED		10-3-73	10-3-73	10-3-73	10-3-73
DRAWN	M.H.	10-3-73	10-3-73	10-3-73	10-3-73

NOTE -
CAPACITOR VALUES GIVEN IN μ F
RESISTOR VALUES IN Ω
① REFERS TO C.T. 3D.
PIN CONNECTION Nos.

FARNELL INSTRUMENTS LTD. WETHERBY, YORKS.
CIRCUIT DIAGRAM
INTEGRATOR BOARD
FUNCTION GENERATOR.
DRAWING No.
3 2X 0689 062

USED ON	R	14, 1	2	3	4	5	6, 7	24, 11	12, 13	14	15	16	17	18	19	20, 21, 22, 25, 23,	R
	C						7	6	1	2		3					C
	VT	1	2	3			4	5		6		7			8		VT
	MISC				T1						D3, Z1, T2						MISC



TRACED	E	21:3:73	Q2550	F	12-12-73	Q2720	L	19-10-75	Q4221
	D	1-1:2:73	Q2063	G	8-2:74	Q2731			
CHECKED	C	14:12:72	Q1953	H	19-3-74	Q2362			
	B	11:9:72	Q1873	I	8-5-74	Q2345			
DRAWN	M.H.	ISS.	DATE	MOD No.	J	12-12-74	Q3213		
		A	1:2:72	K	16-12-74	Q4506			

NOTE -
CAPACITOR VALUES GIVEN IN μ F.
RESISTOR VALUES IN Ω
① REFERS TO CCT. BD.
PIN CONNECTION No.

FARNELL INSTRUMENTS LTD. WETHERBY, YORKS.
CIRCUIT DIAGRAM
INTEGRATOR SWITCHING
FUNCTION GENERATOR
DRAWING No.
3 ZX 0689 063

